

DVD RECEIVER

KDV-3241Y/MP4339 /MP4439/MP5032 SERVICE MANUAL

KENWOOD

Kenwood Corporation

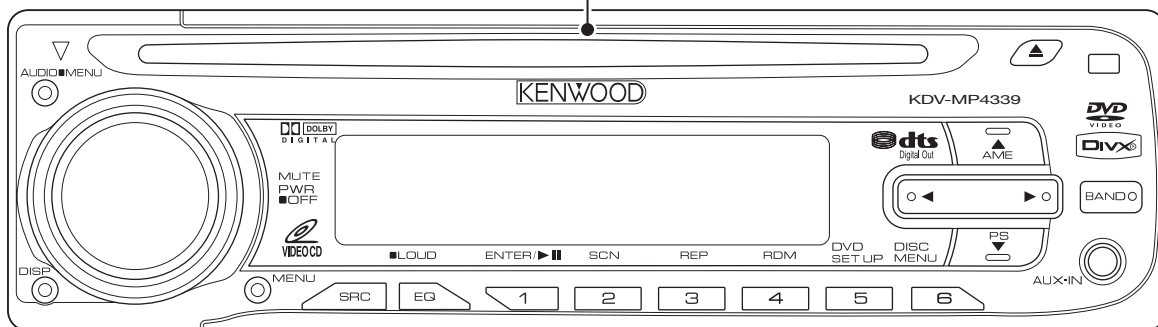
© 2008-5 PRINTED IN JAPAN
B53-0651-00 (N) 429

Mechanical parts in the DVD mechanism are not supplied.

TDF SPARE-PANEL

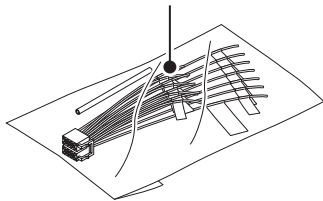
MODEL	TDF PANEL No.
KDV-MP4339	A64-4703-08
KDV-MP4439	A64-4704-08
KDV-3241Y	A64-4705-08
KDV-MP5032	A64-4706-08

Panel assy
 (A64-4707-08): KDV-MP4339
 (A64-4708-08): KDV-MP4439
 (A64-4709-08): KDV-3241Y
 (A64-4710-08): KDV-MP5032

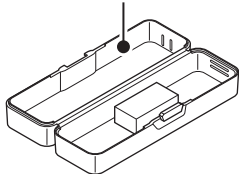


Illustrations is KDV-MP4339

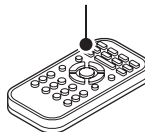
DC cord assy
(E30-6855-08)



Plastic cabinet
(A02-2758-08)



Remote controller assy
without battery
(A70-2094-08)



RC-DV460

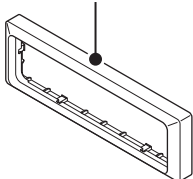
Lithium battery
(Not supplied)



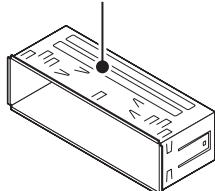
Lever
(D10-7048-08) x2



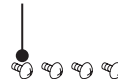
Panel escutcheon
(B01-0950-08)



Mounting hardware assy
(J22-0795-08)



Screw
(N09-6756-08) x4



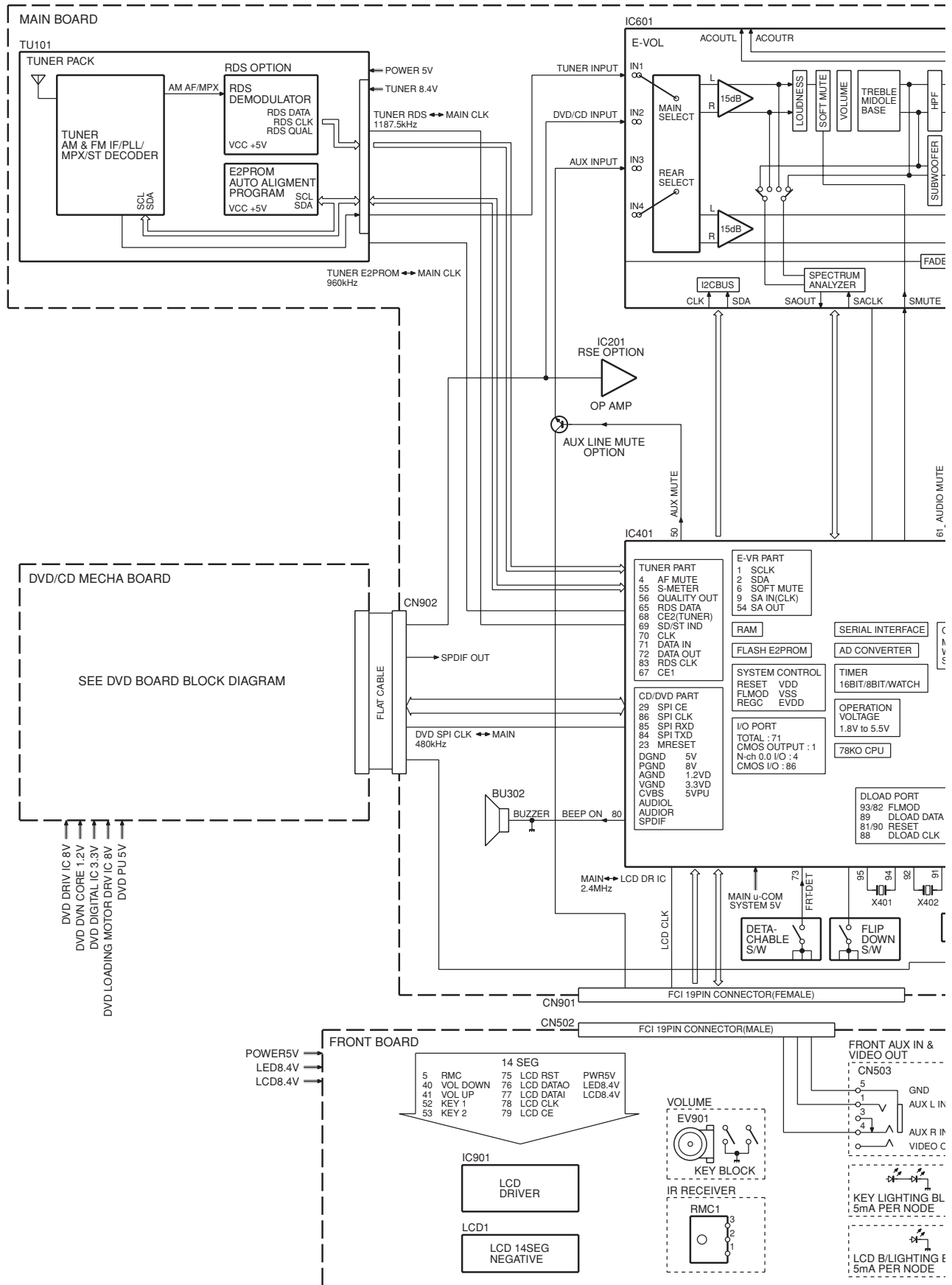
Screw
(N09-6757-08) x4



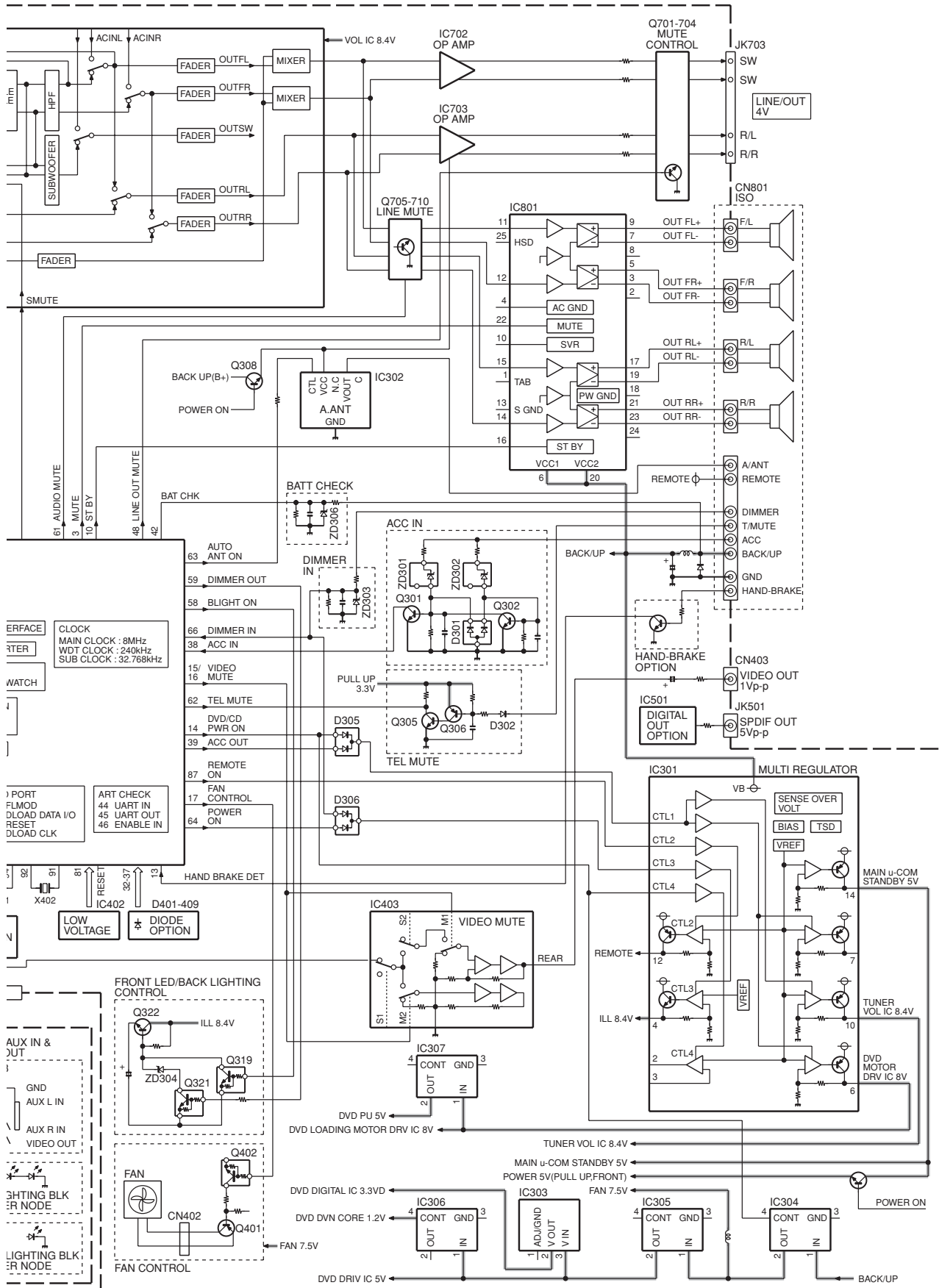
This product uses Lead Free solder.

This product complies with the **RoHS** directive for the European market.

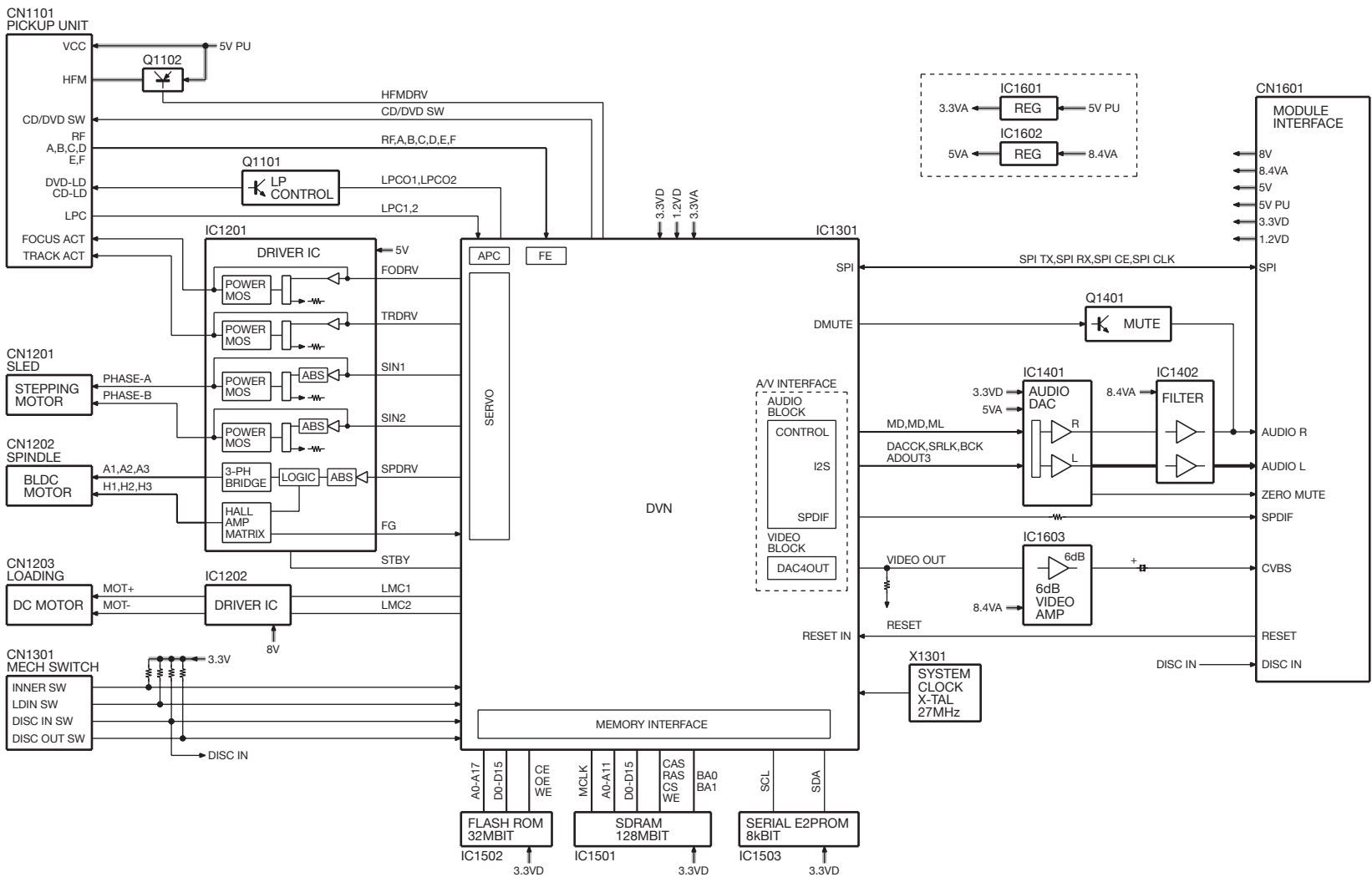
BLOCK DIAGRAM



BLOCK DIAGRAM

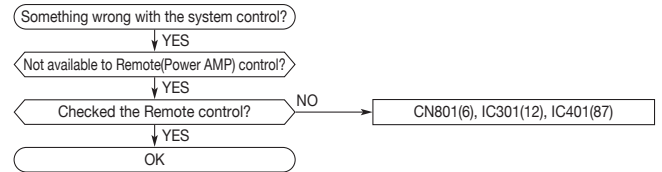
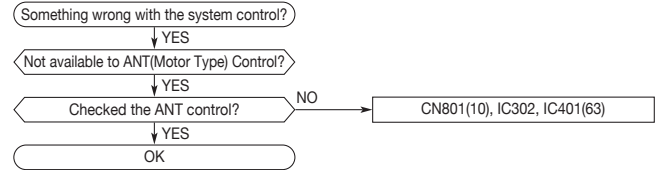
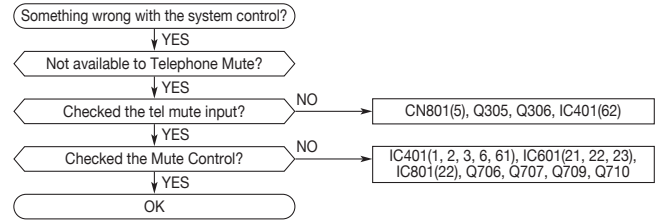
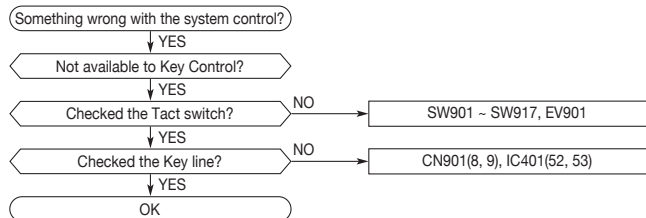
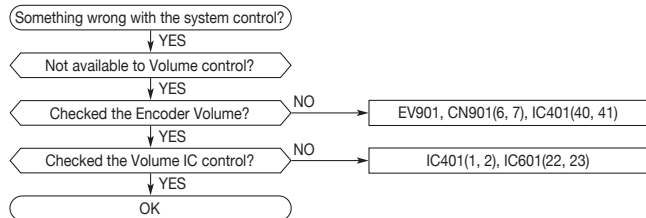
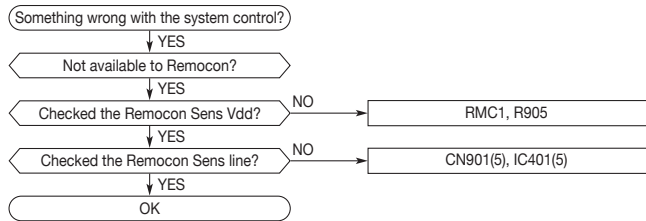
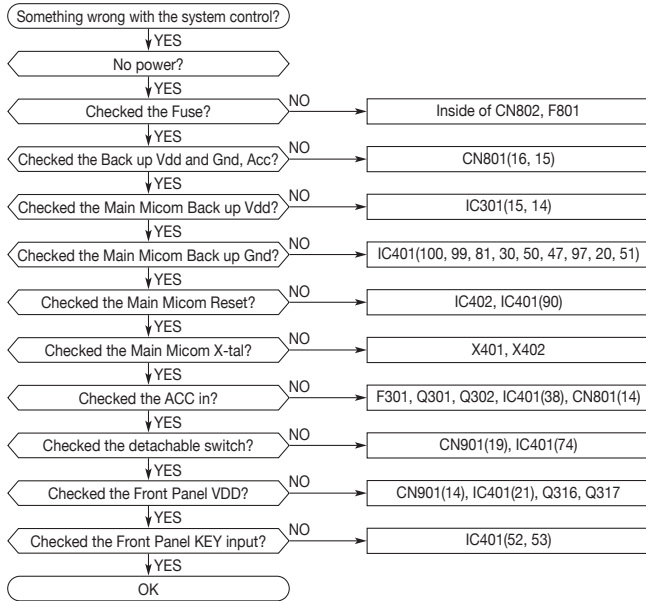


BLOCK DIAGRAM

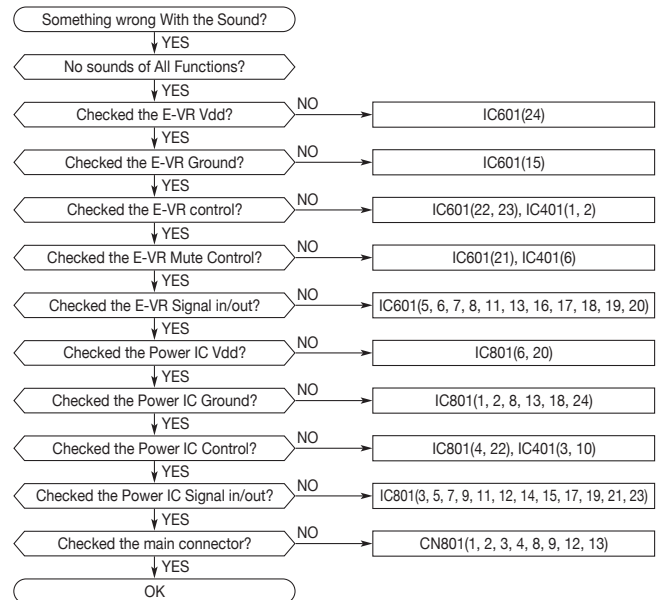


TROUBLESHOOTING

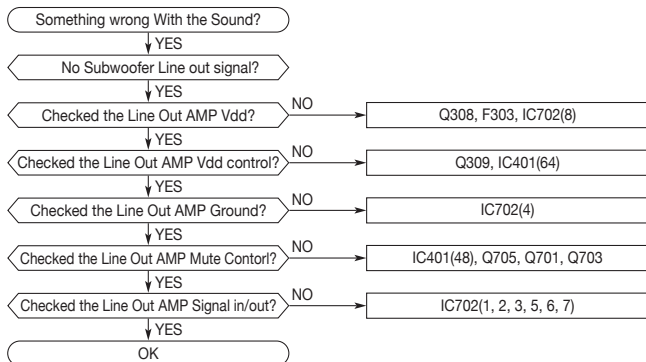
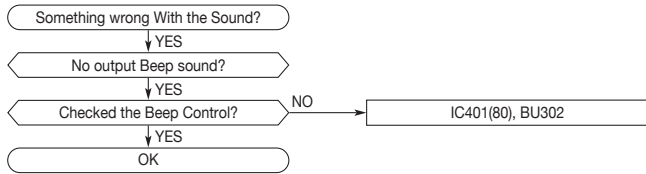
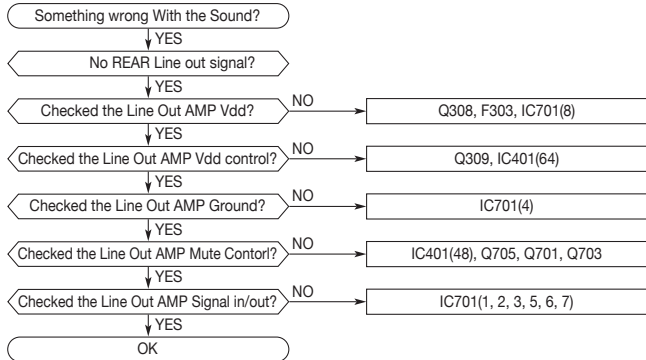
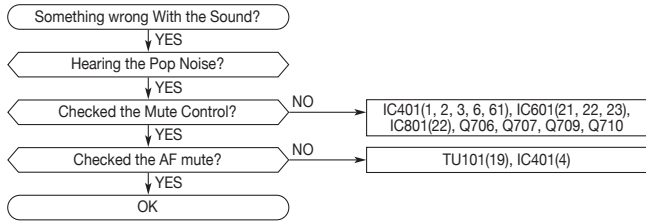
1. System Control Error Correction Flow Chart



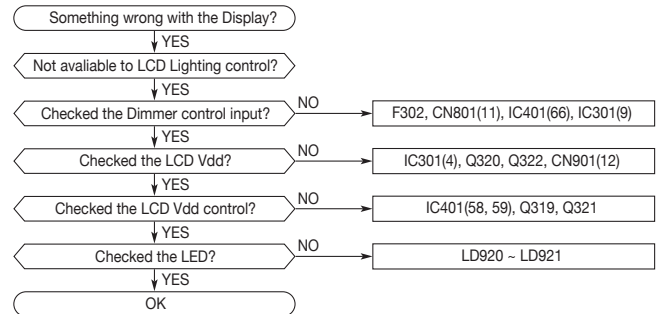
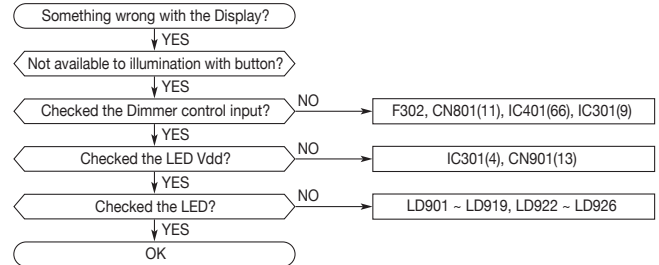
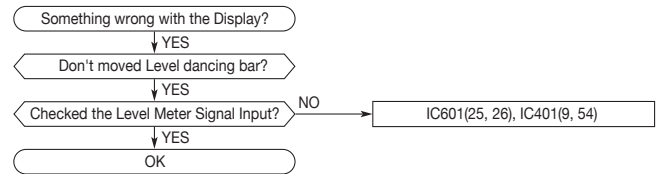
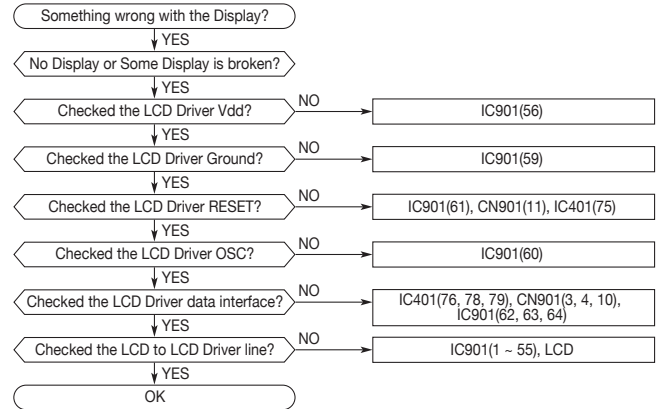
2. Sound Error Correction Flow Chart



TROUBLESHOOTING

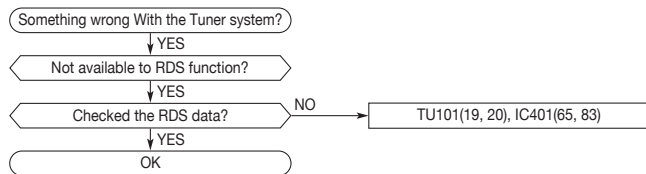
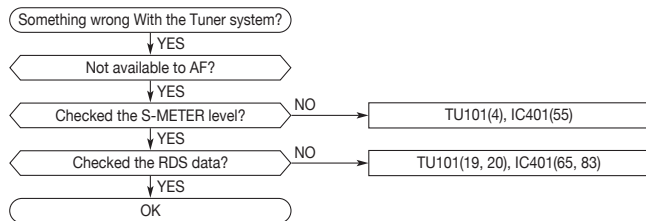
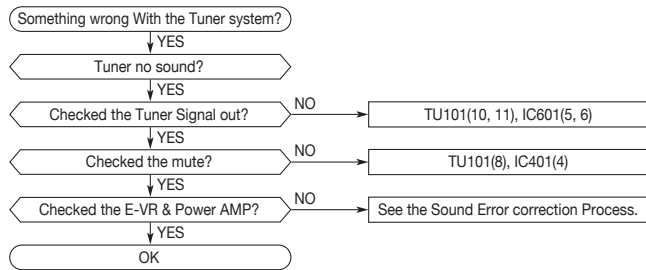
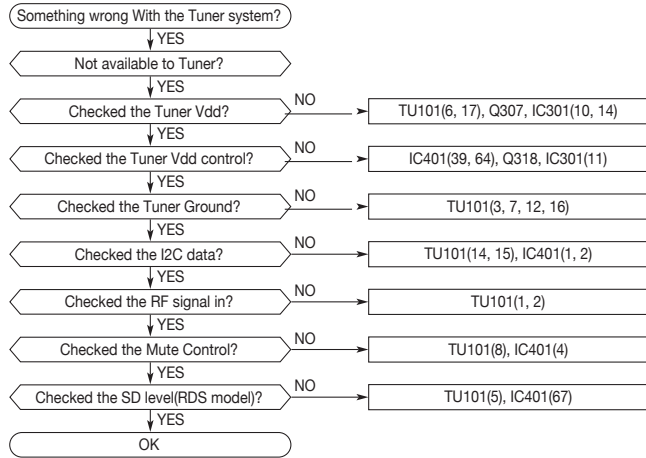


3. Display Error Correction Flow Chart

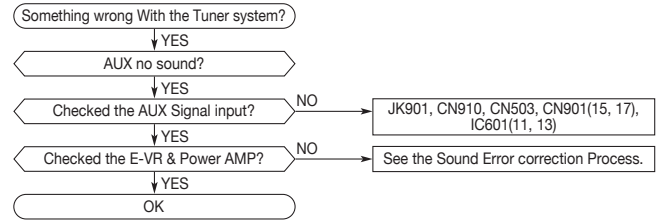


TROUBLESHOOTING

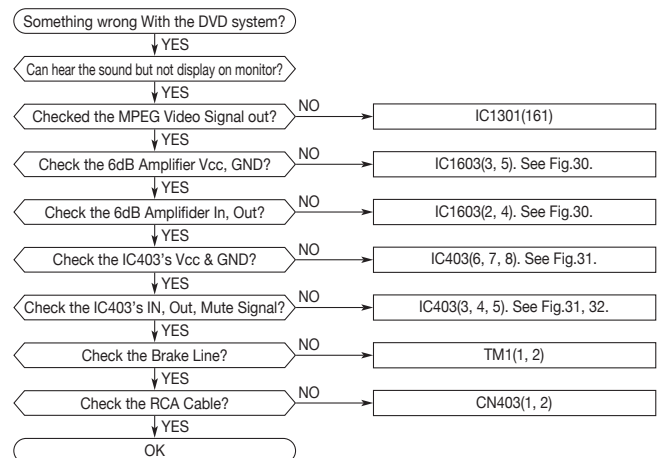
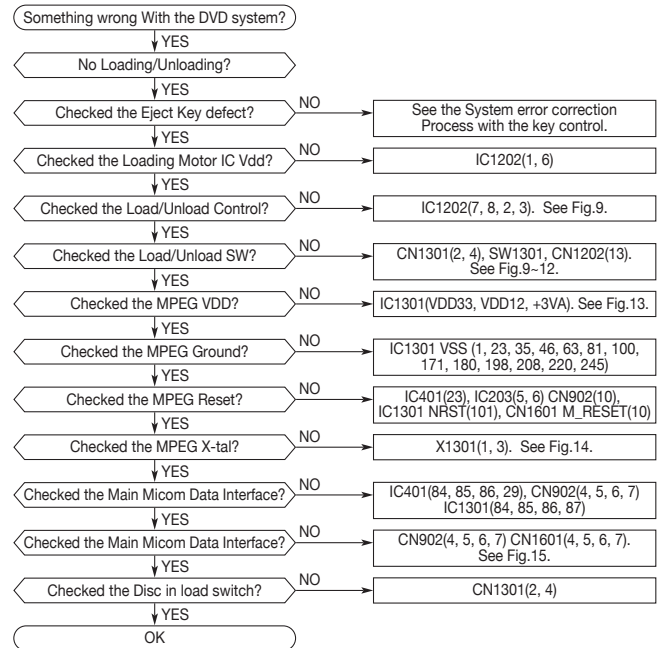
4. Tuner Error Correction Flow Chart



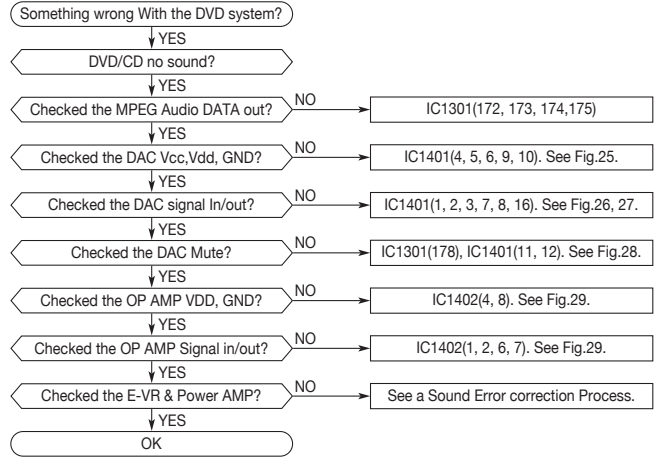
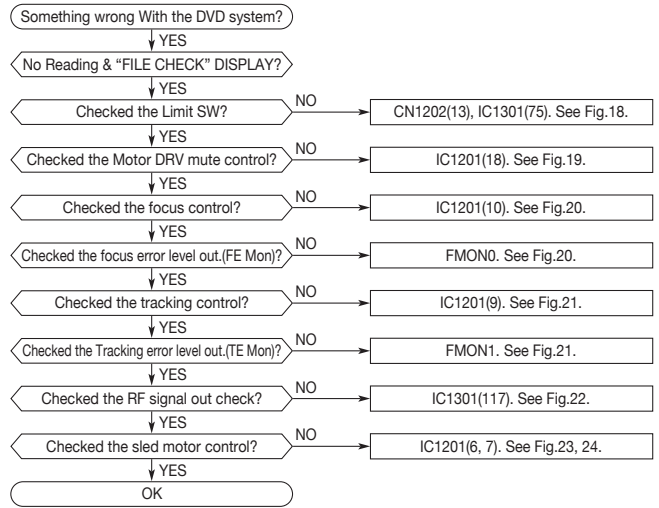
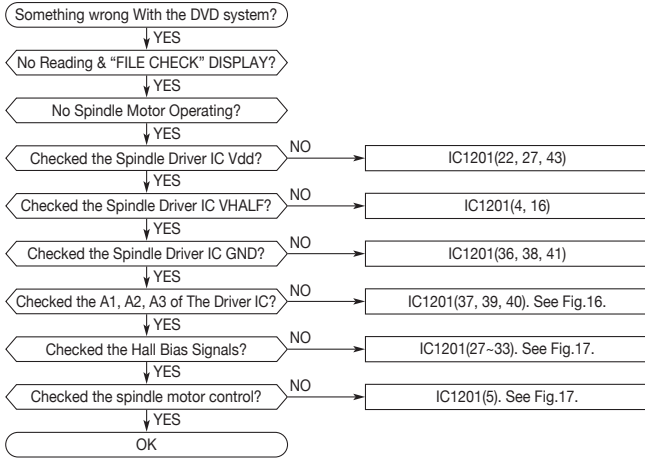
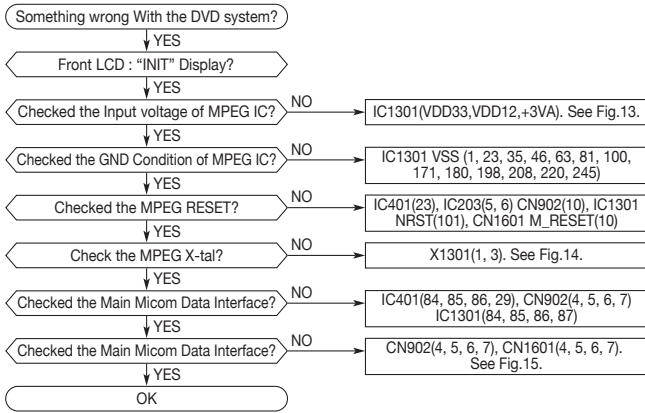
5. AUX Error Correction Flow Chart



6. DVD Error Correction Flow Chart



TROUBLESHOOTING



MICROCOMPUTER'S TERMINAL DESCRIPTION

● MAIN MICROCOMPUTER: EAN36171501 (MAIN UNIT IC401)

Pin No	Pin Name	I/O	Description
1	PPLL_SCL	O	Clock output for interface with PLL IC & EEPROM (TU101 15pin)
2	PPLL_DO	O	Data for PLL IC & EEPROM (TU101 14pin)
3	PPWR_MUTE	O	Power AMP. Direct Mute Control Output (IC801 27pin)
4	PAF_MUTE	O	For TUNER AF Mute (TU101 8pin)
5	PRMC	I	Remote controller input
6	PSOFT_MUTE	O	Volume I.C Direct volume mute signal output (IC601 15pin)
7	N.C.	O	Not to be used
8	N.C.	O	Not to be used
9	PEV_SACLK	O	Volume I.C Spectrum Analyzer Clock output (IC601 16pin)
10	PSTANDBY	O	Power AMP. Standby Control Output (IC801 27pin)
11	N.C.	O	Not to be used
12	PDVD_PICKUP_PWR	O	DVD Vdd Control. 1. DVD Pickup 5V control output. 2. DVD Motor 8V control output
13	PHAND_BREAK	I	Hand Break signal input. Active : High Level.
14	PDVD_POWER	O	DVD system Vdd control output (IC304 4pin)
15	N.C.	O	Not to be used
16	PVIDEO_R_MUTE	O	Rear Video Signal mute control output
17	PFAN	O	Fan control output (Q402)
18,19	N.C.	O	Not to be used
20	EVss1		Connect to GND
21	PFRT_PWR	O	Front 5V control output (Q313). Power control output for front panel
22	N.C.	O	Not to be used
23	PDVD_RST	O	DVD MPEG reset control (IC203 5pin)
24	PZERO_MUTE	I	DVD/CD zero mute signal input
25~28	N.C.	O	Not to be used
29	PDVD_CE	O	DVD MPEG CE control (IC203 2pin)
30	EVdd1	I	Positive power supply (+5V)
31	PDVD33	O	DVD MPEG 3.3V Vdd on/off control output (Q304)
32	POPT_IN0	I	For diode option check, signal 1 or 2 input 0 (See Tuner band option)
33	POPT_IN1	I	For diode option check, signal 1 or 2 input 1 (See Tuner band option)
34	POPT_IN2	I	For diode option check, signal 1 or 2 input 2 (See Tuner band option)
35	POPT_OUT0	O	For diode option check, signal 1 output (See Tuner band option)
36	POPT_OUT1	O	For diode option check, signal 2 output (See Tuner band option)
37	POPT_OUT2	O	For diode option check, signal 3 output (See Tuner band option)
38	PACC	I	ACC Control Input (Q301)
39	PAUDIO_PWR	O	Regulator Audio (Tuner and E-VR) 8.4V ON Control Output (IC301 11pin)
40	PVOLA	I	Volume rotary encoder A terminal signal input
41	PVOLB	I	Volume rotary encoder B terminal signal input
42	PBAT_CHK	I	Backup level detect input
43	N.C.	I	Not to be used
44	N.C.	O	Not to be used

MICROCOMPUTER'S TERMINAL DESCRIPTION

Pin No	Pin Name	I/O	Description
45	PEV_DO	O	To volume controller, data output (IC601 12pin)
46	PEV_CLK	O	Clock for interface with volume controller (IC601 13pin)
47	Avref	I	Reference voltage applied to A/D converter
48	PLINE_MUTE	O	LINE-OUT MUTE ON/OFF Control (Q705)
49	N.C.	O	Not to be used
50	Avref0	I	Reference voltage applied to D/A converter
51	Avss	-	GND
52	PKEY1	I	Key 1st line signal input
53	PKEY2	I	Key 2nd line signal input
54	PLVL_METER	I	Volume I.C Spectrum Analyzer Analog Level Input (IC601 26pin)
55	PS_MTR	I	Radio station's strength signal input (TU101 4pin)
56	PQUALTY	I	Radio station's strength signal input (TU101 9pin)
57	N.C.	O	Not to be used
58	PLIGHT	O	Front LCD back light On/Off Control Output (Q319)
59	PDIMMER	O	Dimmer Control output for LCD back light
60	PAUX_MUTE	O	Not to be used
61	PAUDIO_MUTE	O	System Audio Mute Control Output (Q706). Active : HIGH Level.
62	PTEL_MUTE	I	Tuner Signal Out Mute Control (Q305). Active : Low Level.
63	PANT	O	Antenna control output (IC302 1pin). Active : HIGH Level.
64	PPWR	O	Power on control. 1. Line out B+ on/off control (Q309) 2. Illumination On/off control (IC301 9Pin). 3. Tuner 5V control control (Q318)
65	PRDS_DI	I	From tuner pack, RDS data input (TU101 19Pin)
66	PDIM_IN	I	Dimmer input
67	PSSTOP	O	TUNER seek stop signal out (TU101 5Pin)
68	PRDS_RST	O	RDS decoder reset control ouput (TU101 18Pin)
69	N.C.	I	Not to be used
70	PART_EN	I	ART Enable input, only Auto test equipment
71	PART_RX	I	Data input for ART, only Auto test equipment
72	PART_TX	O	Data output for ART, only Auto test equipment
73	N.C.	O	Not to be used
74	PFRT_DETECT	I	Front Panel detaching or attaching detect
75	PFRT_RST	O	Front LCD driver reset
76	PFRT_DO	O	Data output to Front LCD driver
77	PDISC_IN	I	Wake up signal input from DVD Mecha with Disc in
78	PFRT_CLK	O	CLK output to Front LCD driver
79	PFRT_CE	O	Data enable output to Front LCD driver
80	PBEEP	O	Buzzer output
81	PEXVI	I	Low voltage detector (Connect to Vdd)
82	N.C.	I	Not to be used
83	PRDS_CLK	I	From tuner pack, RDS clock input (TU101 20Pin)
84	PDVD_DO	O	Data output for DVD

MICROCOMPUTER'S TERMINAL DESCRIPTION

Pin No	Pin Name	I/O	Description
85	PDVD_DI	I	Data input of DVD
86	PDVD_CLK	O	CLK output of DVD
87	PREMOTE	O	External amp on (IC301 13Pin)
88	Download_CLK	-	CLK for Program upgrade
89	Download_IO	-	Data I/O for flash memory programmer (Pull-up register)
90	RESET	-	System reset input
91	SUB CLK	I	Sub clock 32.768 kHz
92	SUB CLK	O	Sub clock 32.768 kHz
93	FLMOD	-	Flash memory programming mode setting
94	MAIN CLK	I	X'tal 19.2 MHz
95	MAIN CLK	O	X'tal 19.2 MHz
96	REGC	-	Connect to VSS via a capacitor.
97	Vss	-	Ground
98	Evss	-	Ground Potential for Ports
99	Vdd	I	Positive power supply (+5V)
100	Evdd	I	Positive power supply (+5V) For Ports

TUNER BAND OPTION

D401	D402	D403	AREA	STEP
X	X	X	OIRT	50K/9K
X	O	X	LATINE/R	100K/10K
O	X	X	ASIA/M/X	100K/9K
O	O	X	EUROPE/E2	50K/9K
X	X	O	EUROPE(LW)	
X	O	O	USA	

D404 O RDS SEEK PI
D405 O Not Used
D406 O RDS ON
D407 O Not Used

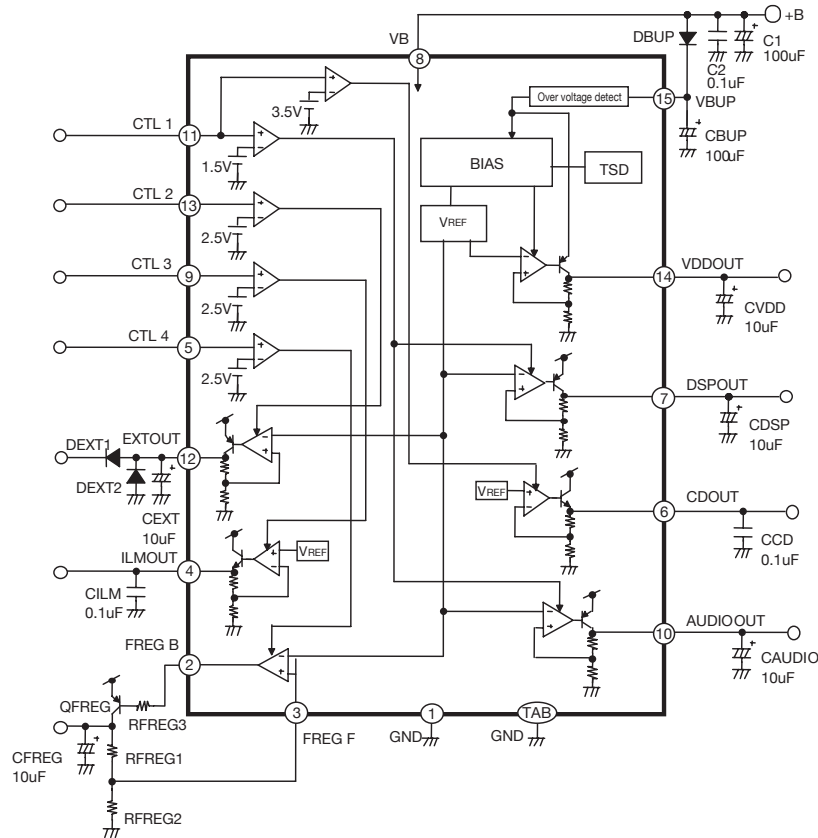
CIRCUIT DESCRIPTION

INTERNAL BLOCK DIAGRAM OF IC'S OIPMG78431A (MAIN UNIT IC301)

• PIN FUNCTION (Note1)

Pin No.	Pin name	Function	Protection function			
			Normal operation	TSD On (Note2)	VB=24V (Note3)	VB=50V (Note3)
1	GND	Ground	-	-	-	-
2	FREG_B	External Trs bass drive (Note4)	On/Off	On/Off	Off	Off
3	FREG_F	FREG feedback terminal	On/Off	On/Off	Off	Off
4	ILMOUT	8.4V output for JLM/500mAmax	On/Off	Off	Off	Off
5	CTL4	FREG control terminal	-	-	-	-
6	CDOUT	8.0V output for CD/1.3Amax (Note4)	On/Off	Off	Off	Off
7	DSPOUT	3.3V output for DSP/250mAmax (Note4)	On/Off	Off	Off	Off
8	VB	Battery	-	-	-	-
9	CTL3	ILM control terminal	-	-	-	-
10	AUDIOOUT	8.4V output for AUDIO/500mAmax (Note4)	On/Off	Off	Off	Off
11	CTL1	DSP, CD, Audio control terminal	-	-	-	-
12	EXTOUT	High side output/600mAmax (Note4)	On/Off	Off	Off	Off
13	CTL2	EXT control terminal	-	-	-	-
14	VDDOUT	5.7V output for micro controller (Note4)	On	On	On	Off
15	VBUP	Back up	-	-	-	-

• BLOCK DIAGRAM



Note1.

In the upper table, "On" means always On. "Off" means compulsory Off and "On/Off" means that it can control by control terminal.

Note2.

Thermal protection circuit

A built-in thermal protection circuit (TSD:Thermal shut down) prevents thermal damage to the IC. All outputs except VDD (pin14) and FREG (pin2&3) are switched off when the circuit operates, revert to the original state when the temperature drops to a certain level.

Note3.

Overvoltage protection circuit

The overvoltage protection circuit (surge protector) turns off all outputs without Vdd, when VB voltage is more than about 21V. And the overvoltage protection circuit (surge protector) turns off Vdd output with other all outputs, when VB voltage is more than about 26V. When the overvoltage protection operates on VB>=18V condition, the stand by current increases.

Note 4.

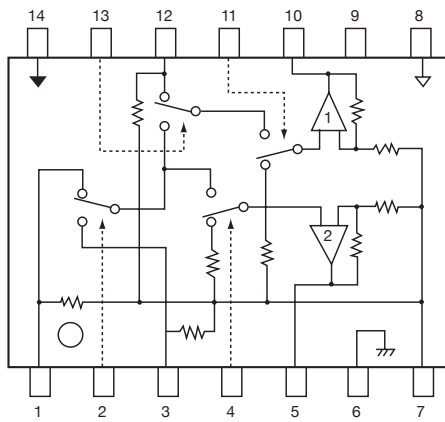
Overcurrent protection circuit

FREG_B (pin2), ILMOUT (pin4), CDOUT (pin6), DSPOUT (pin7), AUDIOOUT (pin10), EXTOUT (pin12), VDDOUT (pin14) output circuits are built-in overcurrent protection circuit based on the respective output current. These overcurrent protection circuits limit the current with a curve shape of "7" in the voltage-current graph. This prevents IC destruction due to overcurrent.

CIRCUIT DESCRIPTION

OIPRPJR004A (MAIN UNIT IC403)

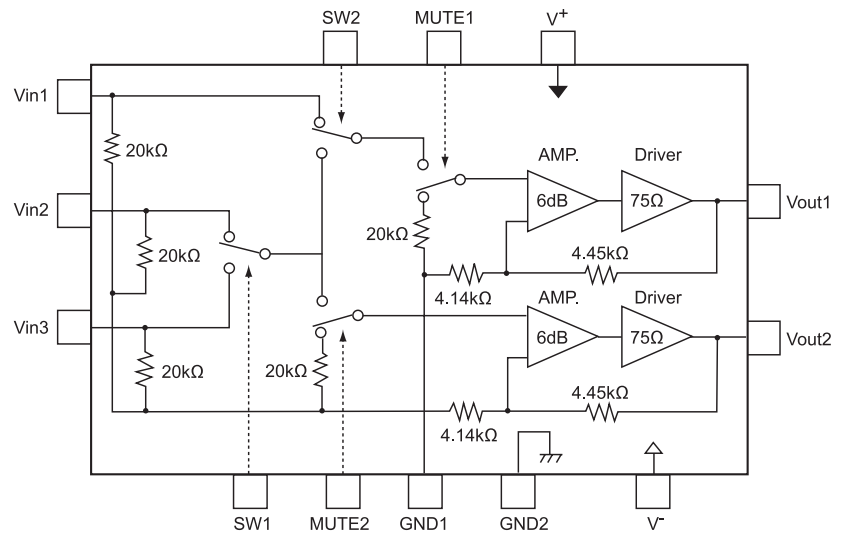
• PIN CONFIGURATION



PIN FUNCTION

1. Vin3	5. Vout2	9. N. C.	13. SW2
2. SW1	6. GND2	10. Vout1	14. V ⁻
3. Vin2	7. GND1	11. MUTE1	
4. MUTE2	8. V ⁺	12. Vin1	

• BLOCK DIAGRAM



E-TDA7419 (MAIN UNIT IC601)

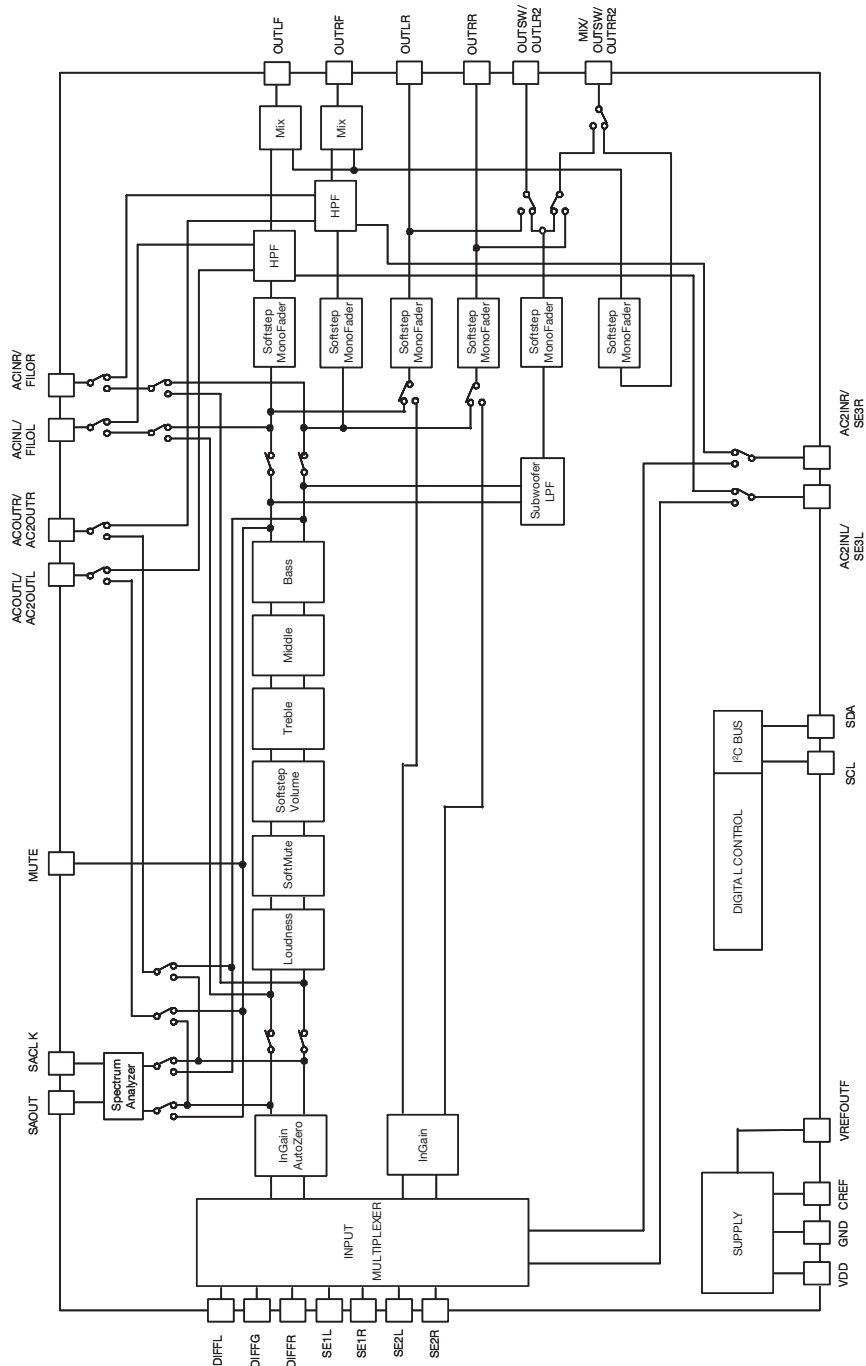
• PIN DESCRIPTION

Pin No.	Pin Name	I/O	Function
1	ACOUTR / AC2OUTR	O	AC coupling right output / HPF filter AC2OUT right channel
2	ACINR / FILO R	I/O	AC coupling right input / HPF filter FILO right channel
3	ACINL / FILO L	I/O	AC coupling left input / HPF filter FILO left channel
4	ACOUTL / AC2OUTL	O	AC coupling left output / HPF filter AC2OUT left channel
5	SE3L / ACINL	I	Single-ended input 3 left channel / AC coupling left input
6	SE3R / ACINR	I	Single-ended input 3 right channel / AC coupling right input
7	SE2L	I	Single-ended input 2 left channel
8	SE2R	I	Single-ended input 2 right channel
9	SE1L	I	Single-ended input 1 left channel
10	SE1R	I	Single-ended input 1 Right channel
11	DIFFL	I	Pseudo differential stereo input left
12	DIFFG	I	Pseudo differential stereo input common
13	DIFFR	I	Pseudo differential stereo input right
14	CREF	O	Reference capacitor
15	GND	S	Ground
16	OUTSW / OUTLR2	O	Subwoofer output / 2nd rear left output
17	OUTRF	O	Front right output
18	OUTRR	O	Rear right output
19	OUTLR	O	Rear left output
20	OUTLF	O	Front left output
21	MUTE	I	External mute pin
22	SCL	I	I2C bus clock

CIRCUIT DESCRIPTION

Pin No.	Pin Name	I/O	Function
23	SDA	I/O	I2C bus data
24	VDD	S	Supply
25	SAIN	I	Spectrum analyzer clock input
26	SAOUT	O	Spectrum analyzer output
27	VREF	O	Vref output
28	MIX / OUTSW / OUTRR2	I/O	Mix input / Additional subwoofer output / 2nd rear right output

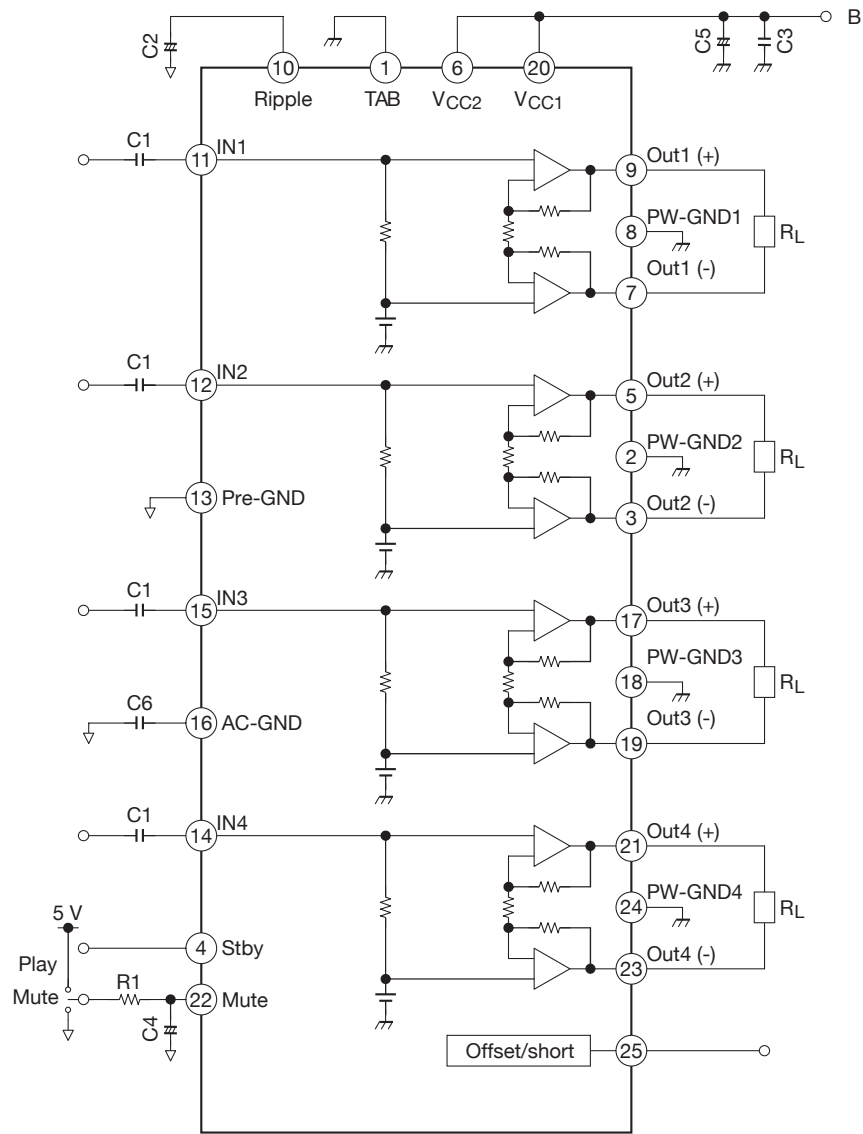
• BLOCK DIAGRAM



CIRCUIT DESCRIPTION

TB2923HQ (MAIN UNIT IC801)

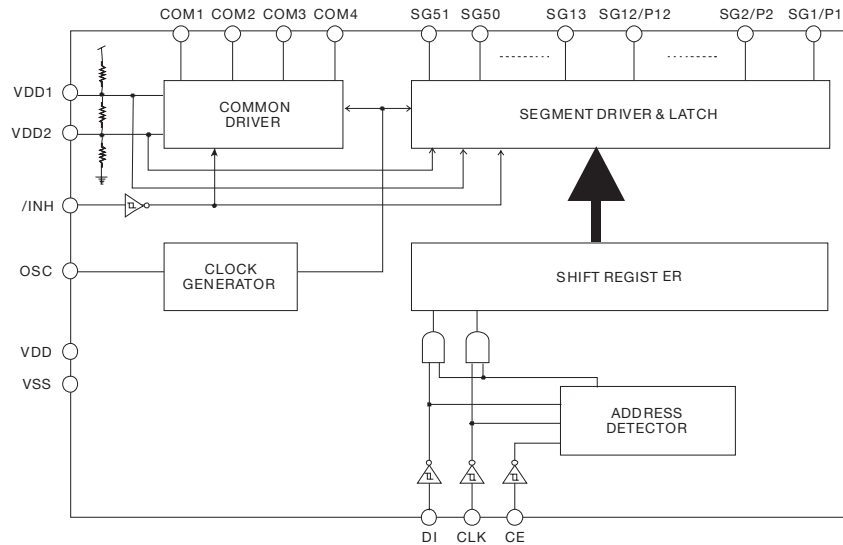
• BLOCK DIAGRAM



CIRCUIT DESCRIPTION

OILNRPY004B (FRONT UNIT IC901)

• BLOCK DIAGRAM



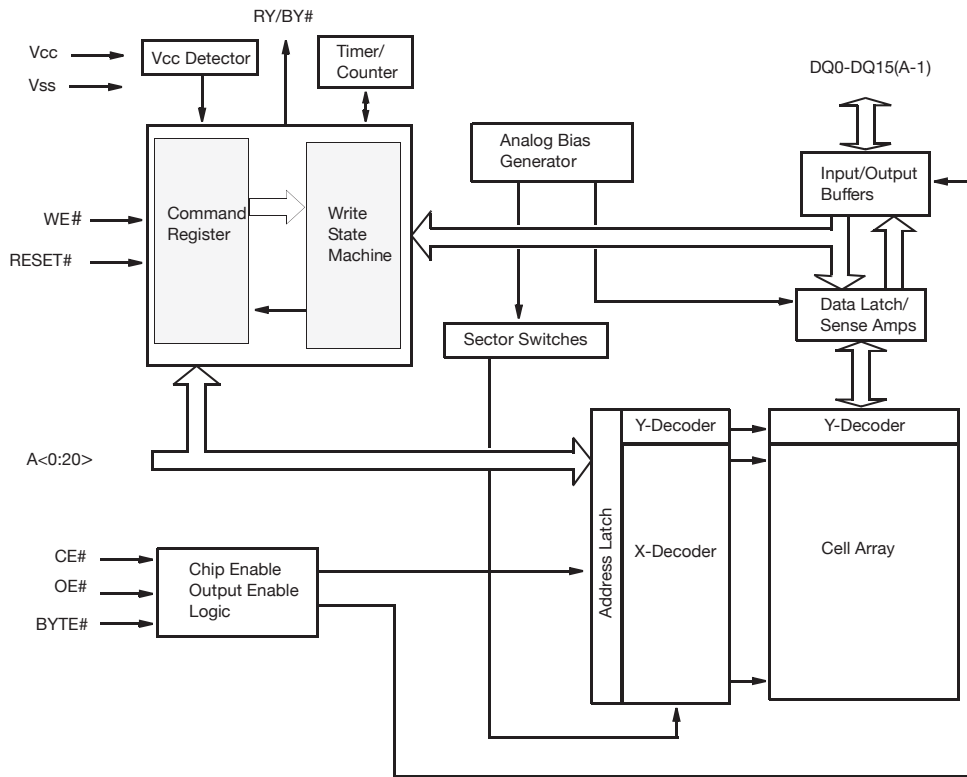
• PIN DESCRIPTION

Pin No.	Pin Name	I/O	Pin Description
1 ~ 12	SG1/P1 ~ SG12/P12	O	Segment Driver Output/General Purpose Output Ports
13 ~ 51	SG13 ~ SG51	O	Segment Driver Output Pins
52 ~55	COM1 ~ COM4	O	Common Driver Output Pins
56	VDD	-	Power Supply
57	VDD1	-	Power Supply. - This pin is used to apply a 2/3 LCD Drive Bias Voltage. If the 1/2 Bias Drive Technique is used, this pin must be short to VDD2.
58	VDD2	-	Power Supply. - This pin is used to apply a 1/3 LCD Drive Bias Voltage. If the 1/2 Bias Drive Technique is used, this pin must be short to VDD1.
59	VSS	-	Ground
60	OSC	I/O	Oscillation Input / Output Pin
61	INH	I	Display OFF Control Pin. If this pin is set to "LOW" (VSS), the display is forced to turn OFF. Output driver pins -- SG1/P1 to SG12/P12, SG13 to SG51, COM1 to COM4 are set to "LOW". If this pin is set to "HIGH" (VDD), the display is turned ON. (see Note)
62	CE	I	Chip Enable Pin
63	CLK	I	Clock Input Pin
64	DI	I	Data Input Pin

CIRCUIT DESCRIPTION

EAN36433701 (DVD UNIT IC1502)

• BLOCK DIAGRAM



• PIN DESCRIPTION

Pin No.	Pin Name	Description
1~10,16~25,48	A0~A20	21 Addresses
29~36,38~44	DQ0~DQ14	15 Data Inputs/Outputs
45	DQ15/A-1	DQ15 (Data Input/Output, Word Mode). A-1 (LSB Address Input, Byte Mode)
26	CE#	Chip Enable
28	OE#	Output Enable
11	WE#	Write Enable
14	WP#/ACC	Hardware Write Protect/Acceleration Pin
12	RESET#	Hardware Reset Pin, Active Low
47	BYTE#	Selects 8-bit or 16-bit mode
15	RY/BY#	Ready/Busy Output
37	Vcc	3.0 volt-only single power supply (see Product Selector Guide for speed options and voltage supply tolerances)
27,46	Vss	Device Ground
13	NC	Pin Not Connected Internally

MAIN FIRMWARE UPGRADE METHOD

1. Confirmation of version information

- Change the Source of audio set to CD/DVD. (Default: tuner)
- Turn power off using power key.
- Press power key for 5 sec. (After power on, continue pressing)
- After 5 sec, beep sound rings two times. Then version information would show up at display.
- In order to check version of MAIN/CD system, Press band key.
- The version of system for main & CD is displayed in sequence.



2. Upgrade Program reading

- Insert update CD in ACC on state and then [READING → M_UPGRAD] is displayed in order.



3. Upgrade start

- In order to start upgrade, Press 1 [ENTER] key

4. Upgrade progress display

- Upgrade is in progress now. [Erase → Write → I-VRF → D-VRF]



5. Upgrade Completion

- When Upgrade finished, the display shows up "DOWN OK". After 3 seconds, the audio set is reset automatically.



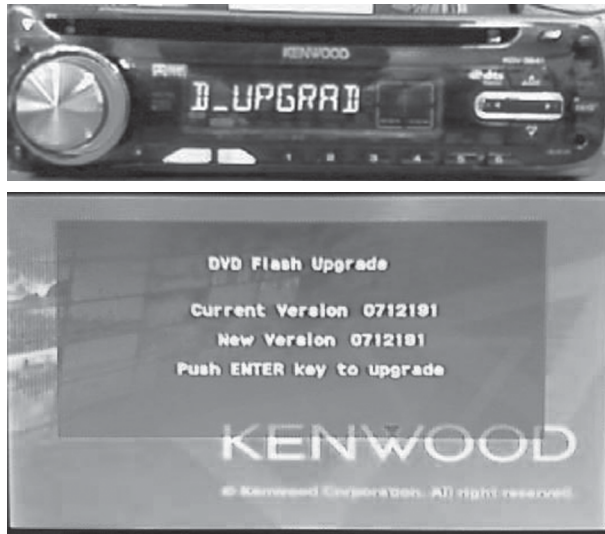
• Caution

If power is off on the way of upgrading firmware, the set can't be recovered. Therefore pay lots of attention for power not to be off.

DVD FIRMWARE UPDATE METHOD

1. Upgrade Program reading

- Insert update CD in ACC on state and then [READING → D_UPGRAD] is displayed in order.

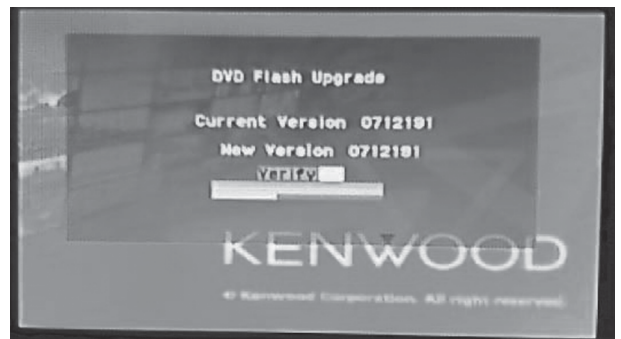
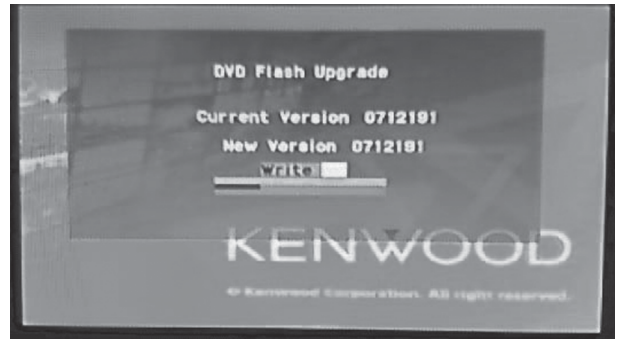
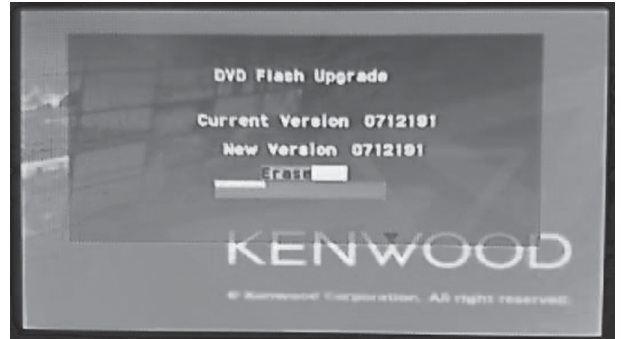


2. Upgrade start

- In order to start upgrade, Press 1 [ENTER] key.

3. Upgrade progress display

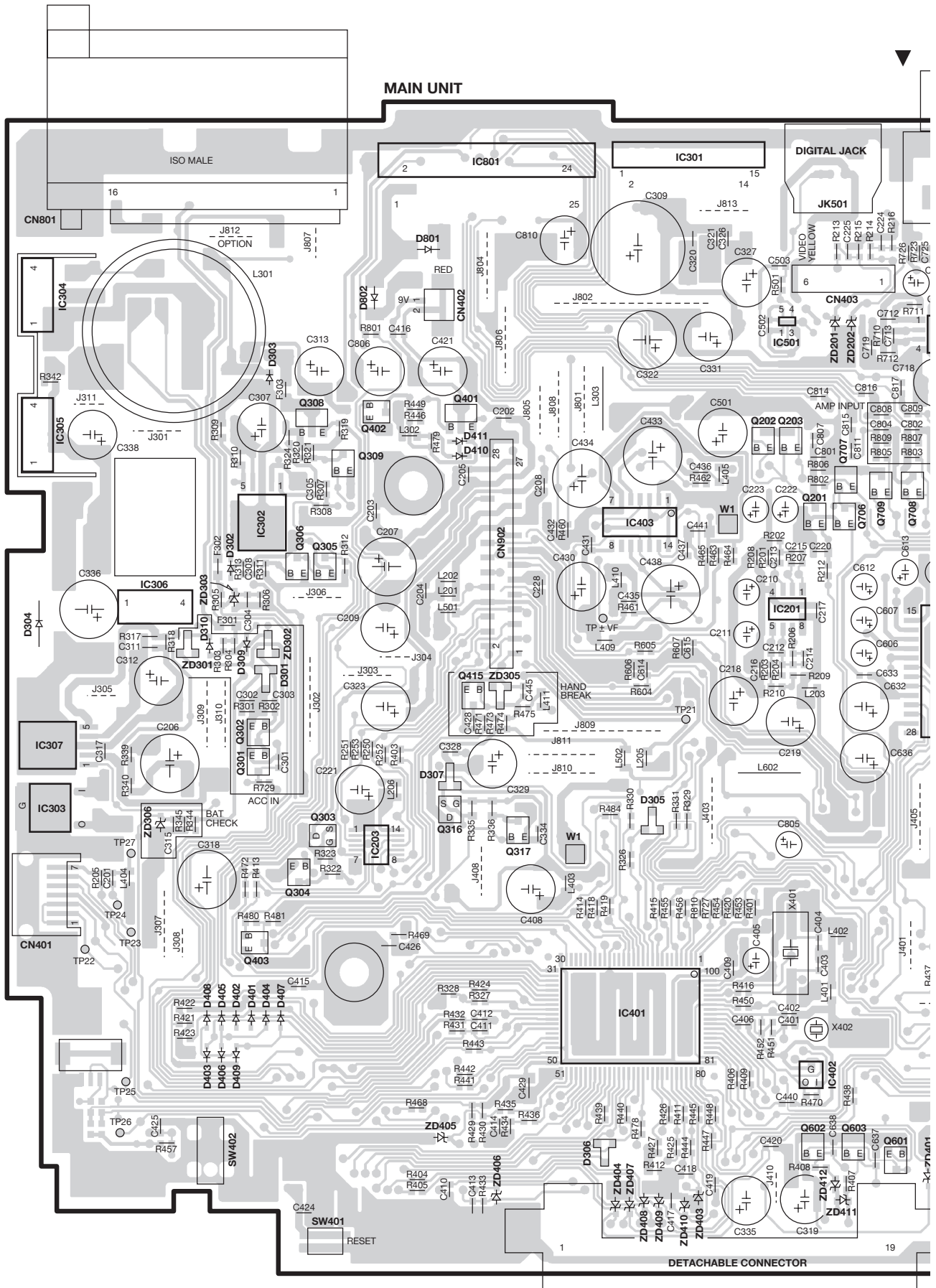
- Upgrade is in progress now. [Read → Erase → Write → Verify]

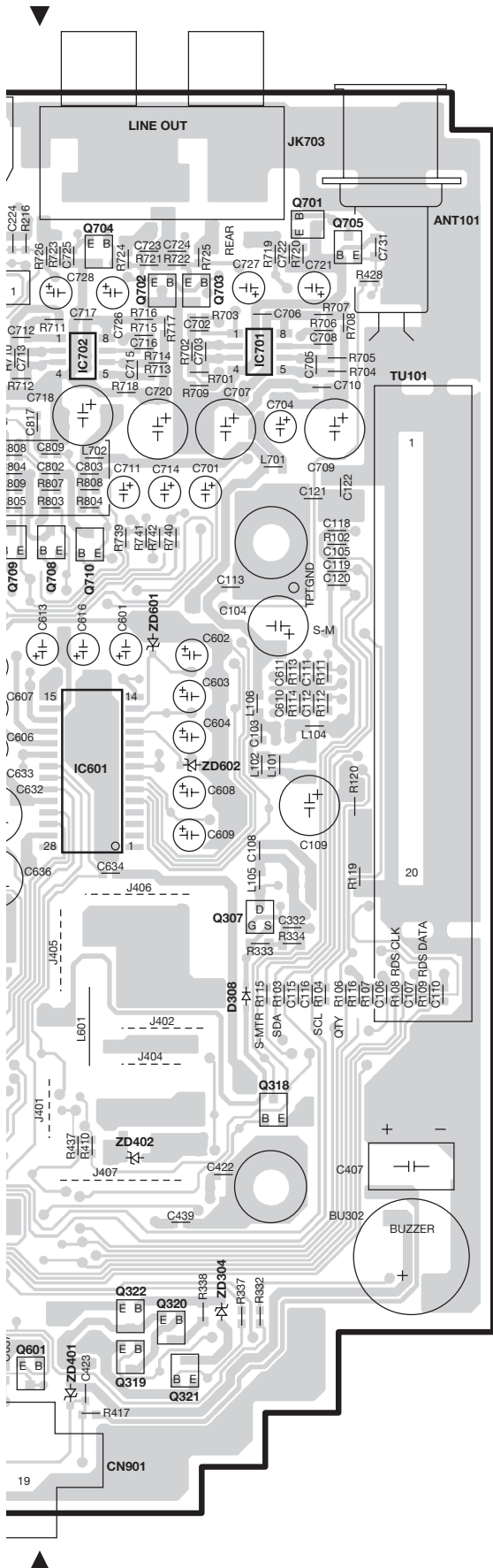


4. Upgrade Completion

- When Upgrade finished, the DVD module is reset automatically.

PC BOARD (COMPONENT SIDE VIEW)





MAIN UNIT

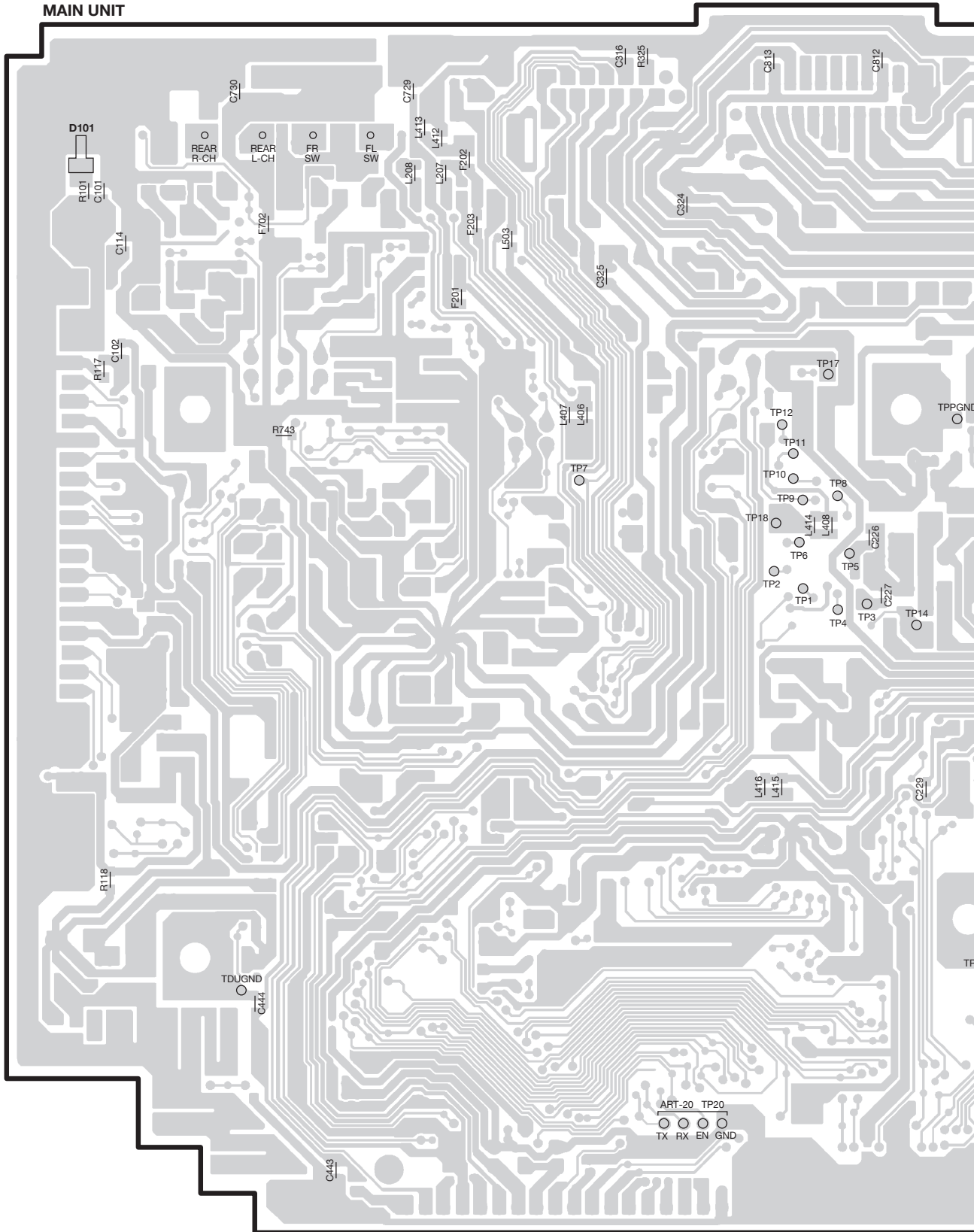
Ref. No.	Address
IC203	5C
IC301	2D
IC302	4B
IC303	5A
IC304	2A
IC305	3A
IC306	4B
IC307	5A
IC401	6D
IC402	6E
IC403	4D
IC501	3E
IC601	4F
IC701	3F
IC702	3F
IC801	2C
Q301	5B
Q302	4B
Q303	5C
Q304	5C
Q305	4C
Q306	4C
Q307	5F
Q308	3C
Q309	3C
Q316	5C
Q317	5D
Q318	5G
Q319	7F
Q320	6F
Q321	7F
Q322	6F
Q401	3C
Q402	3C
Q403	6B
Q415	4C
Q701	2G
Q702	2F
Q703	2F
Q704	2F
Q705	2G
Q706	3E
Q707	3E
Q708	3F
Q709	3E
Q710	3F

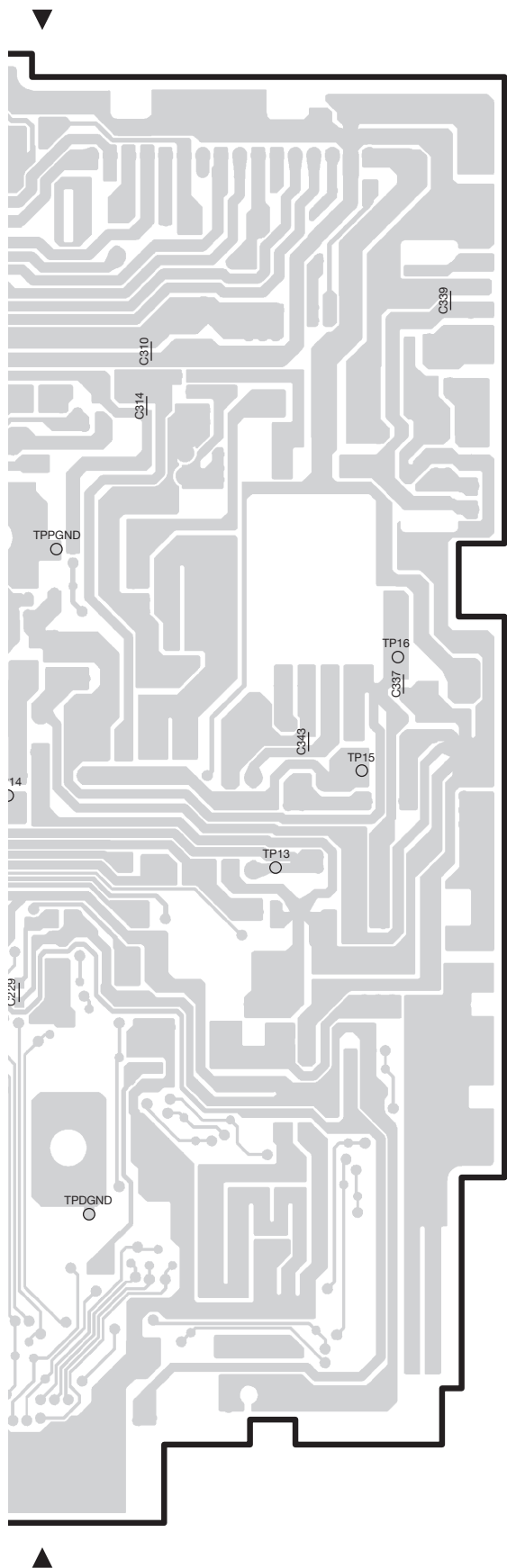
Refer to the schematic diagram for the values of resistors and capacitors.

KDV-3241Y/MP4339
/MP4439/MP5032

PC BOARD (FOIL SIDE VIEW)

MAIN UNIT

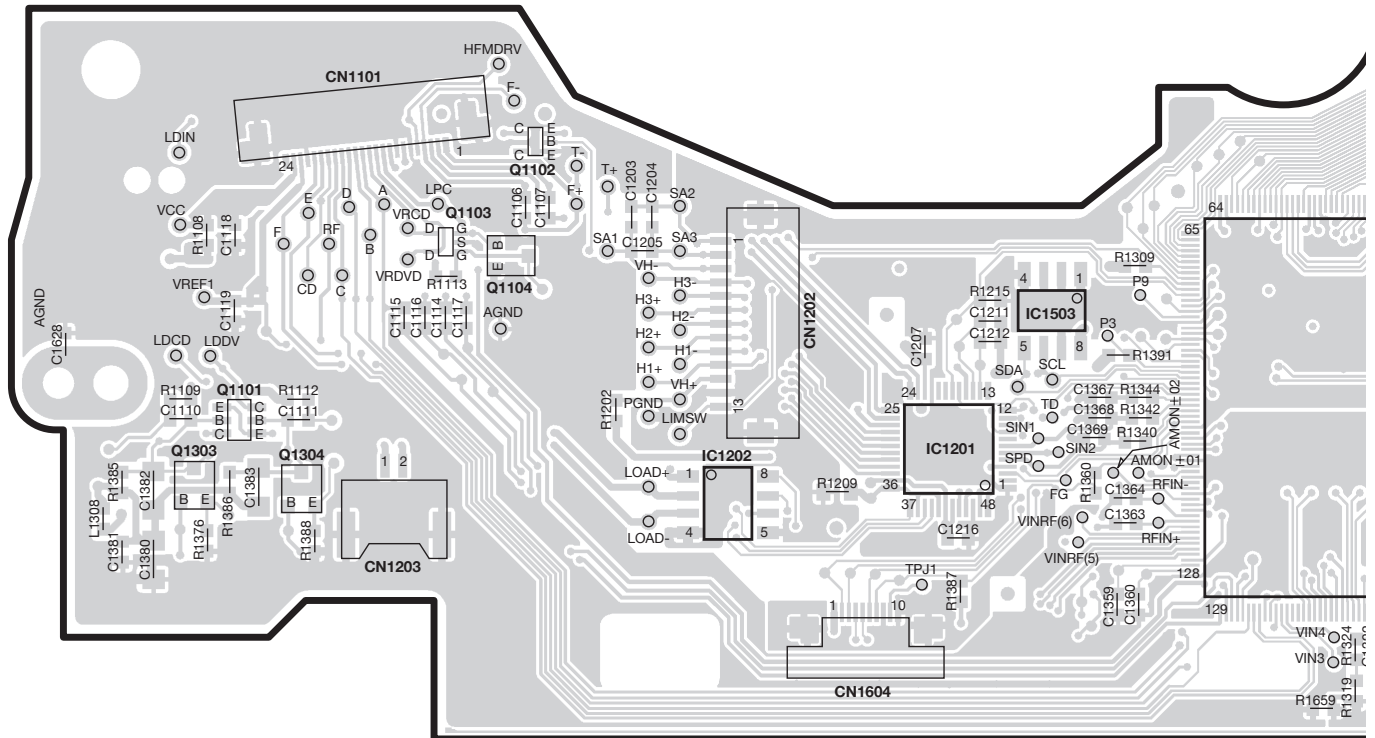


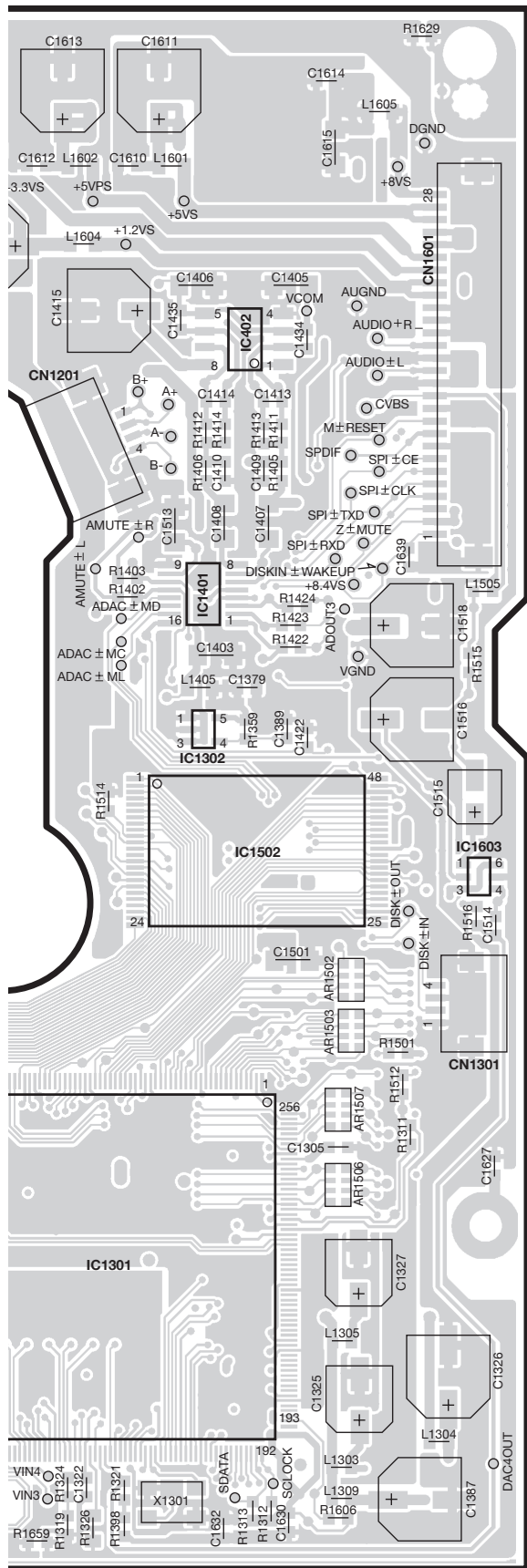


Refer to the schematic diagram for the values of resistors and capacitors.

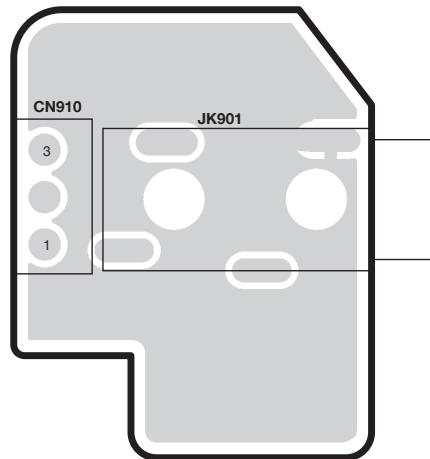
PC BOARD (COMPONENT SIDE VIEW)

DVD UNIT

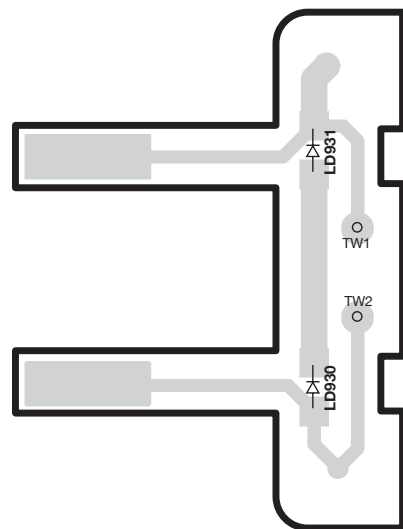




AUX UNIT



BACK LIGHT UNIT



DVD UNIT

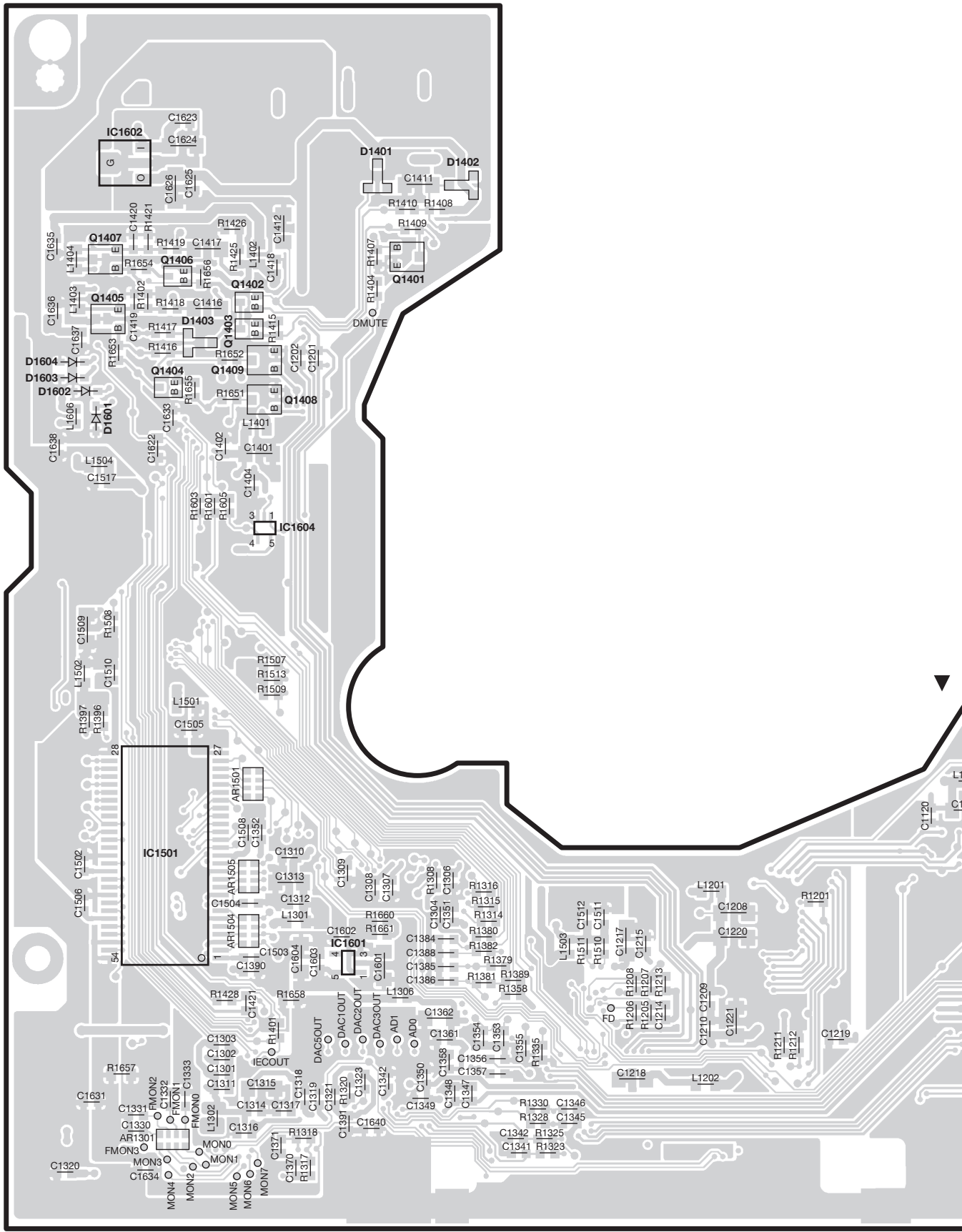
Ref. No.	Address
IC1201	6X
IC1202	6W
IC1301	6Z
IC1401	4Z
IC1402	3Z
IC1502	4Z
IC1503	6X
IC1603	4AA
Q1101	6V
Q1102	5W
Q1103	5V
Q1104	6W
Q1303	6V
Q1304	6V

Refer to the schematic diagram for the values of resistors and capacitors.

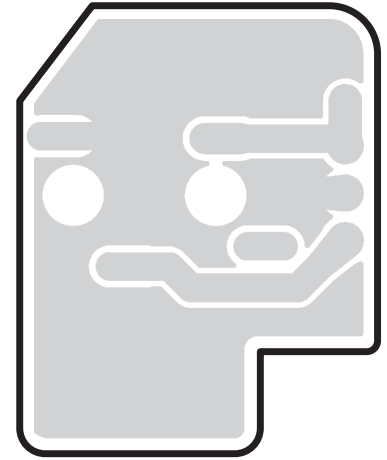
KDV-3241Y/MP4339
/MP4439/MP5032

PC BOARD (FOIL SIDE VIEW)

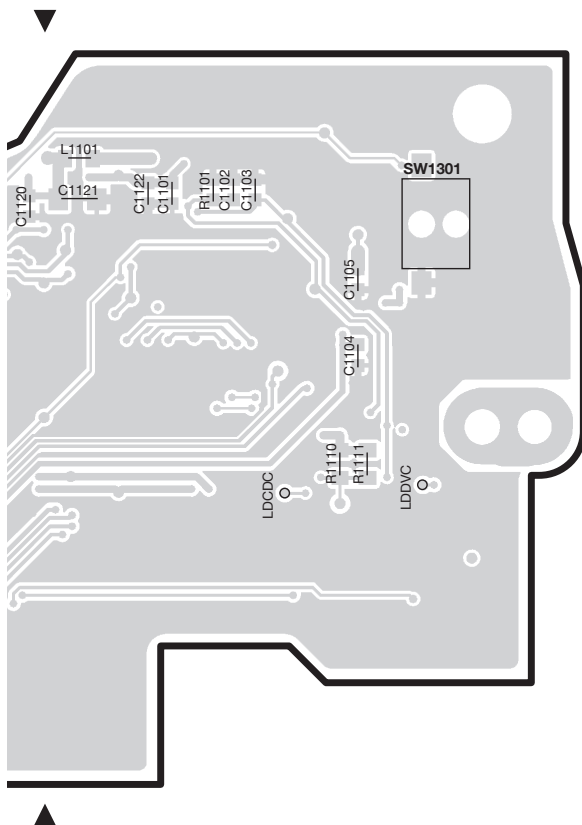
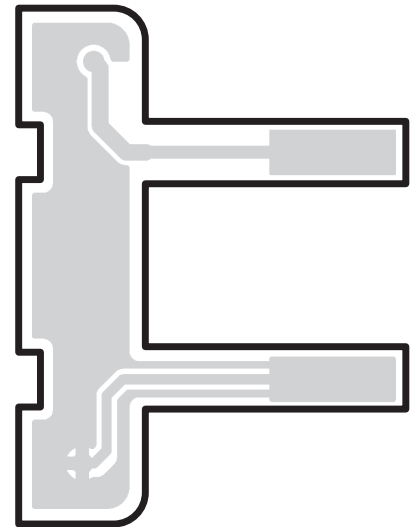
DVD UNIT



AUX UNIT



BACK LIGHT UNIT



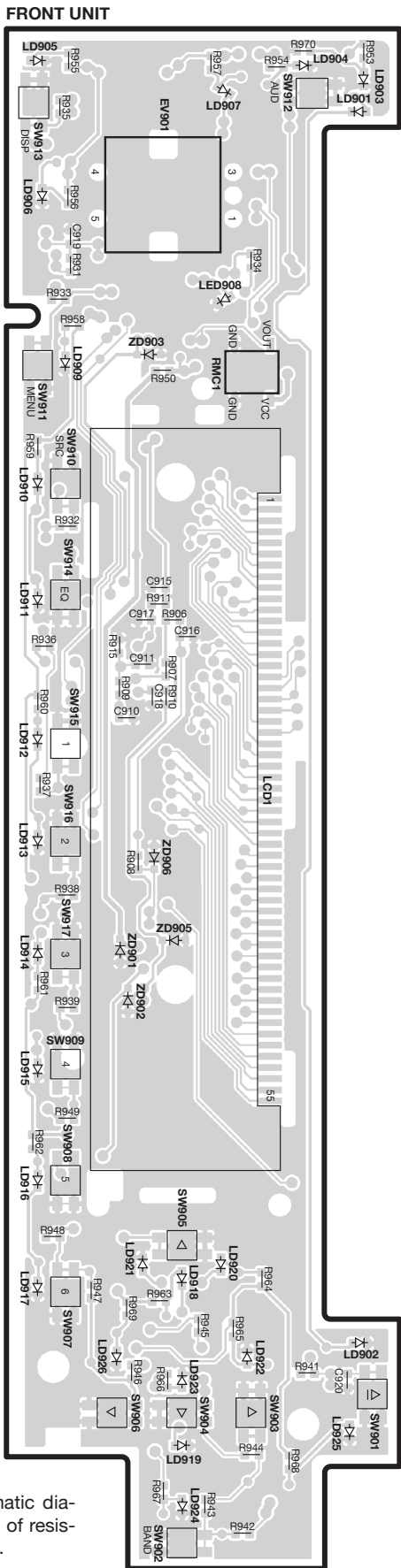
DVD UNIT

Ref. No.	Address
IC1501	5AF
IC1601	6AG
IC1602	2AE
IC1604	4AF
Q1401	3AG
Q1402	3AF
Q1403	3AF
Q1404	3AF
Q1405	3AE
Q1406	3AF
Q1407	2AE
Q1408	3AF
Q1409	3AF

Refer to the schematic diagram for the values of resistors and capacitors.

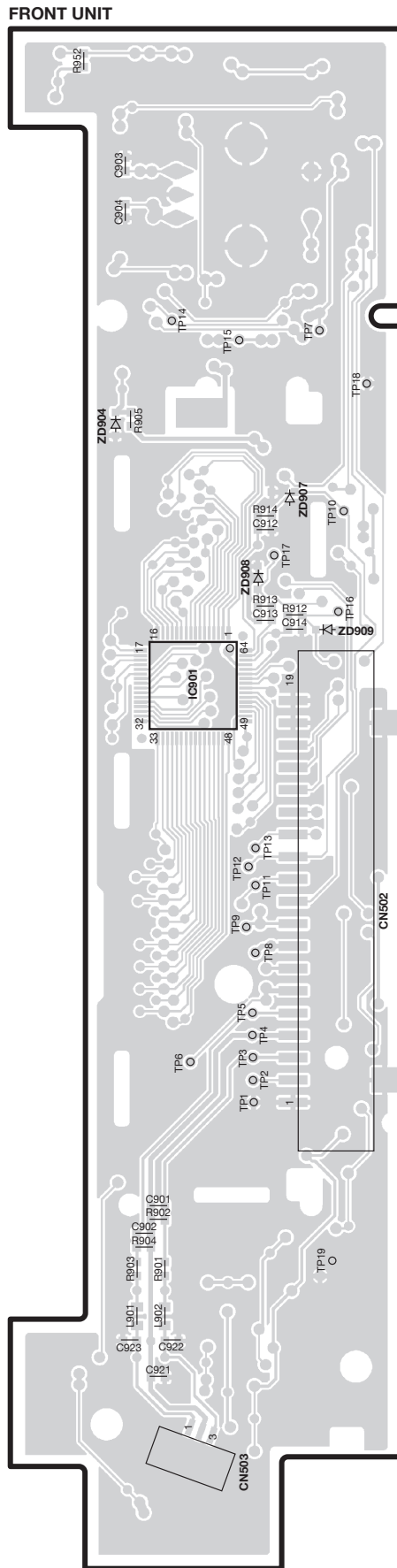
KDV-3241Y/MP4339
/MP4439/MP5032

PC BOARD (COMPONENT SIDE VIEW)



Refer to the schematic diagram for the values of resistors and capacitors.

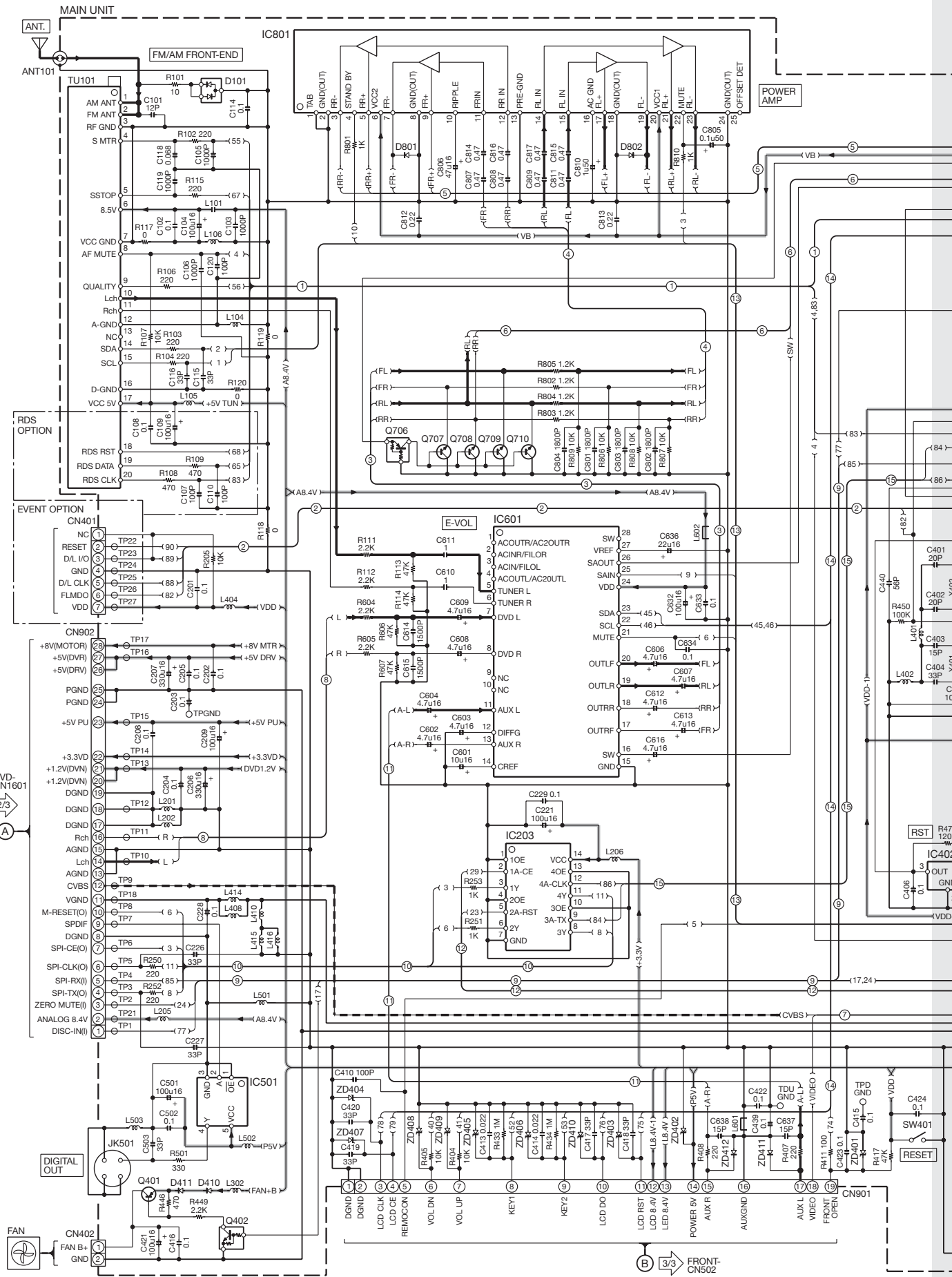
PC BOARD (FOIL SIDE VIEW)

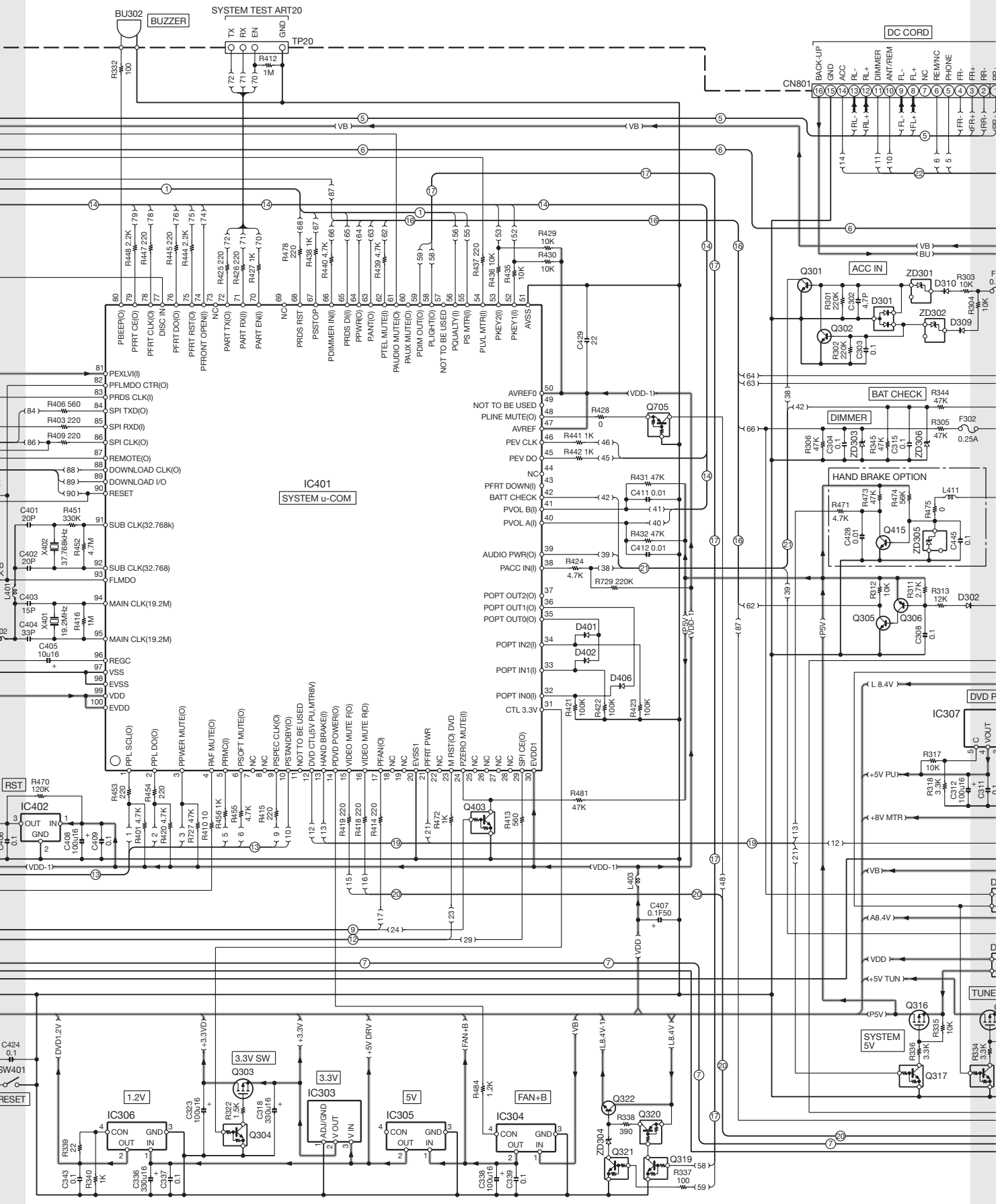


FRONT UNIT

Ref. No.	Address
IC901	4AR

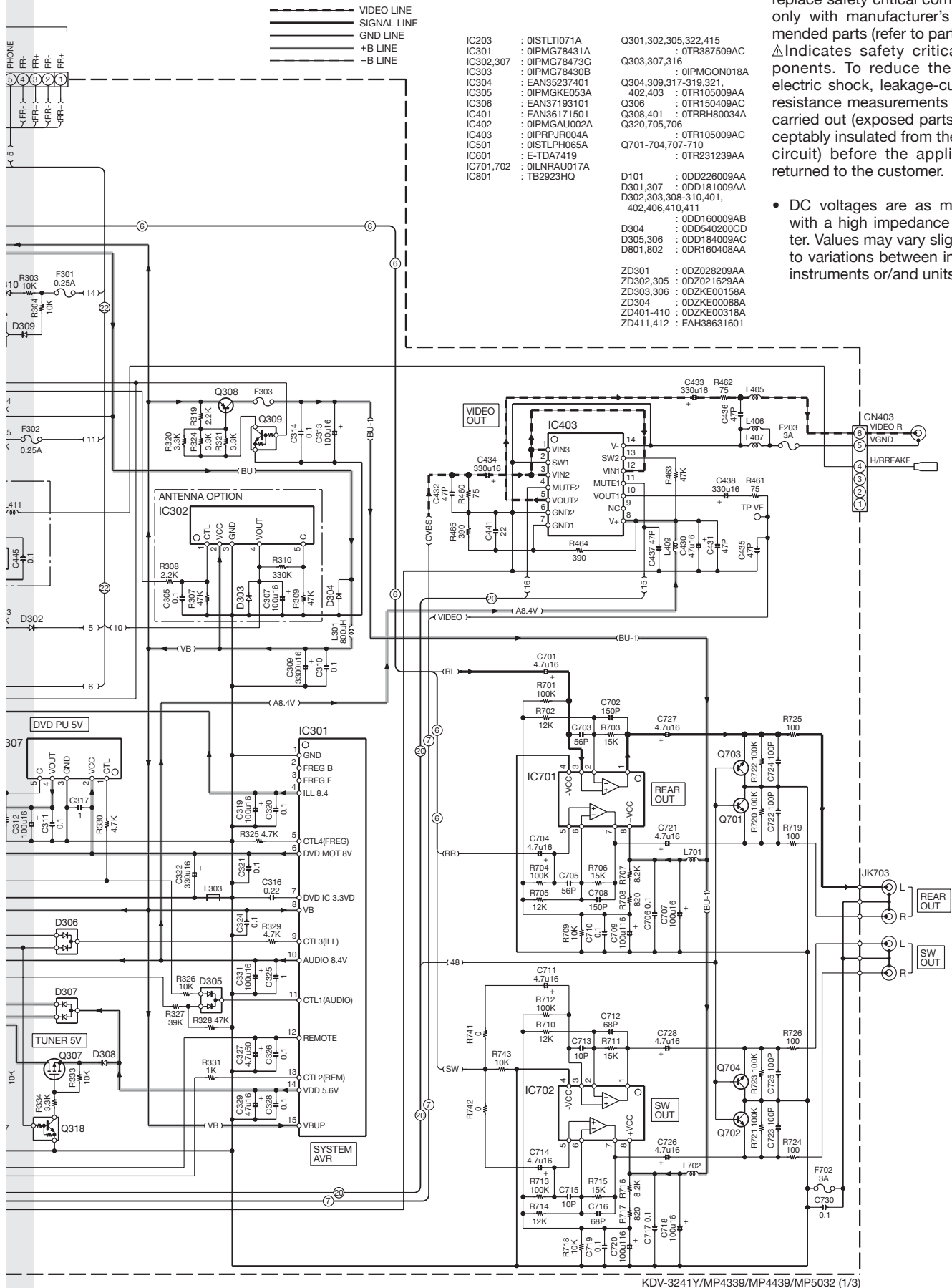
1
2
3
4
5
6
7





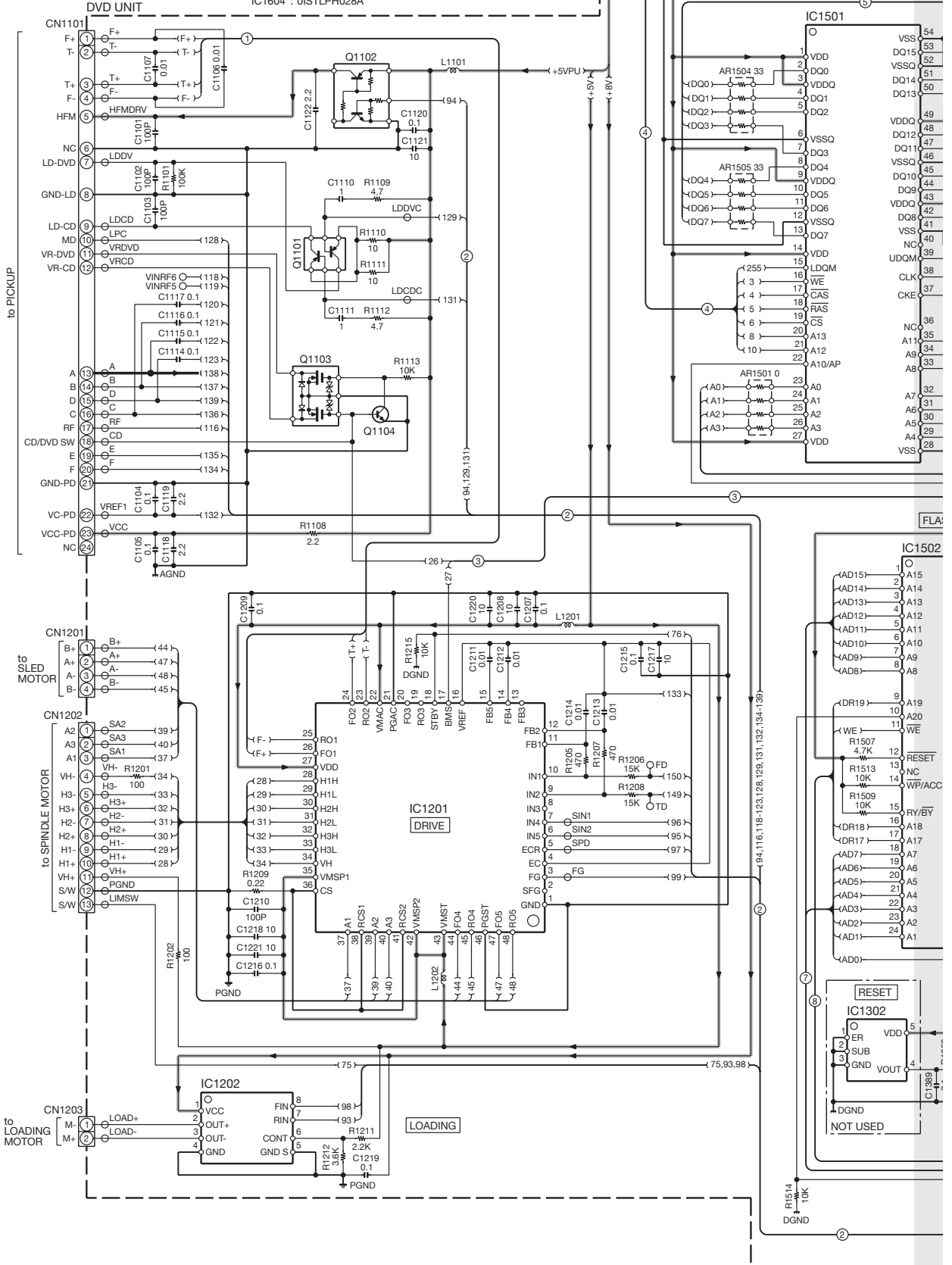
CAUTION : For continued safety, replace safety critical components only with manufacturer's recommended parts (refer to parts list).
 △Indicates safety critical components. To reduce the risk of electric shock, leakage-current or resistance measurements shall be carried out (exposed parts are acceptably insulated from the supply circuit) before the appliance is returned to the customer.

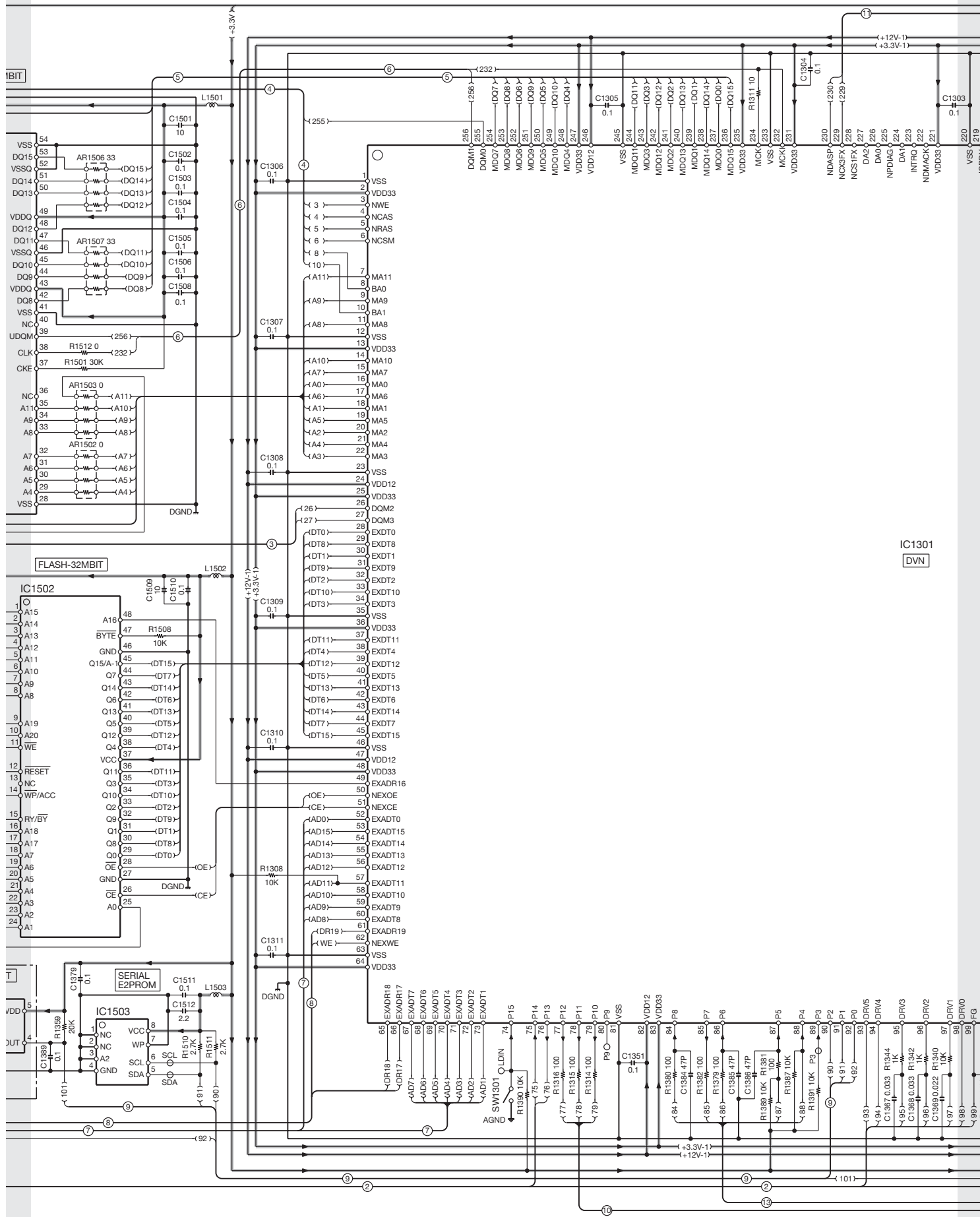
• DC voltages are as measured with a high impedance voltmeter. Values may vary slightly due to variations between individual instruments or/and units.

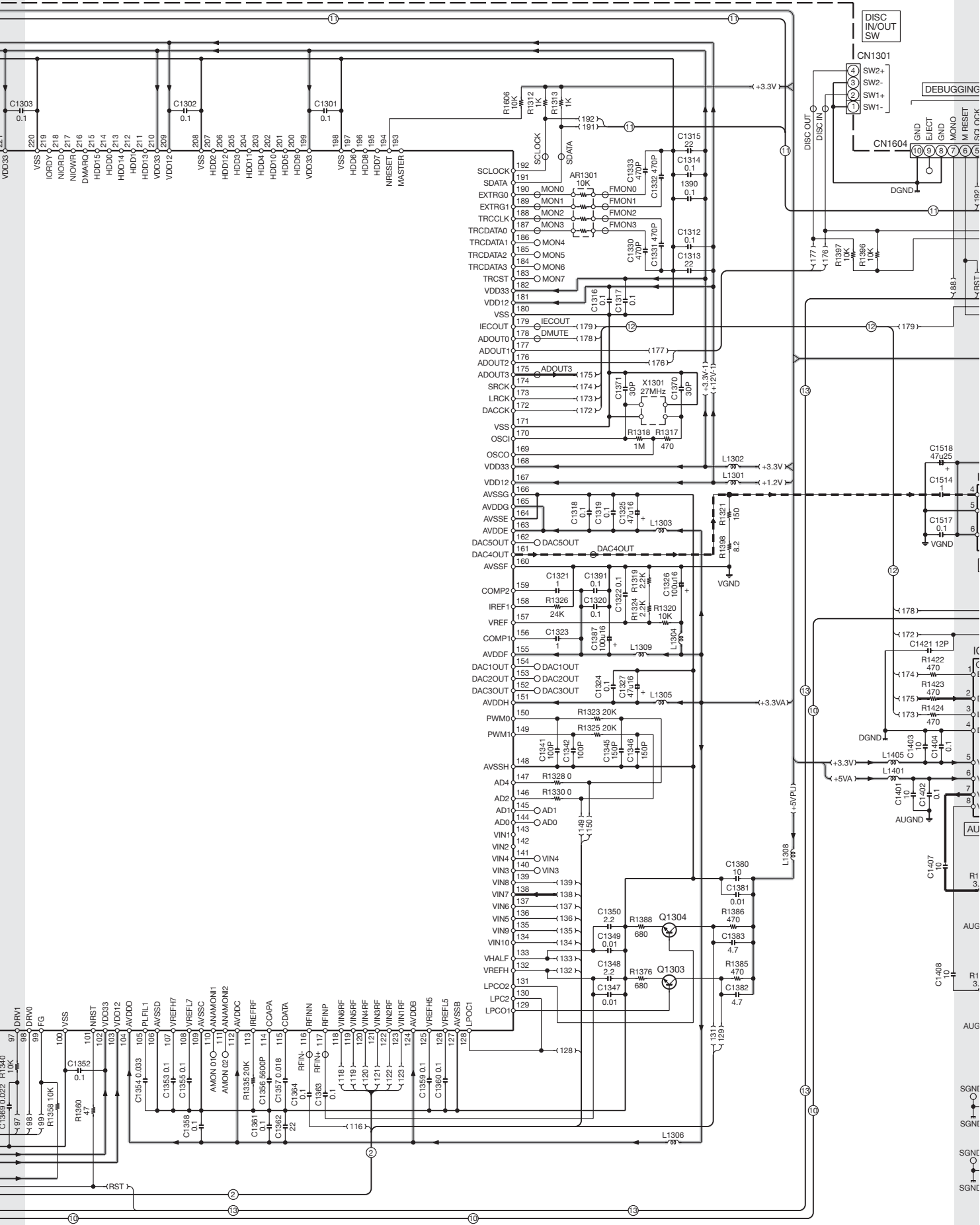


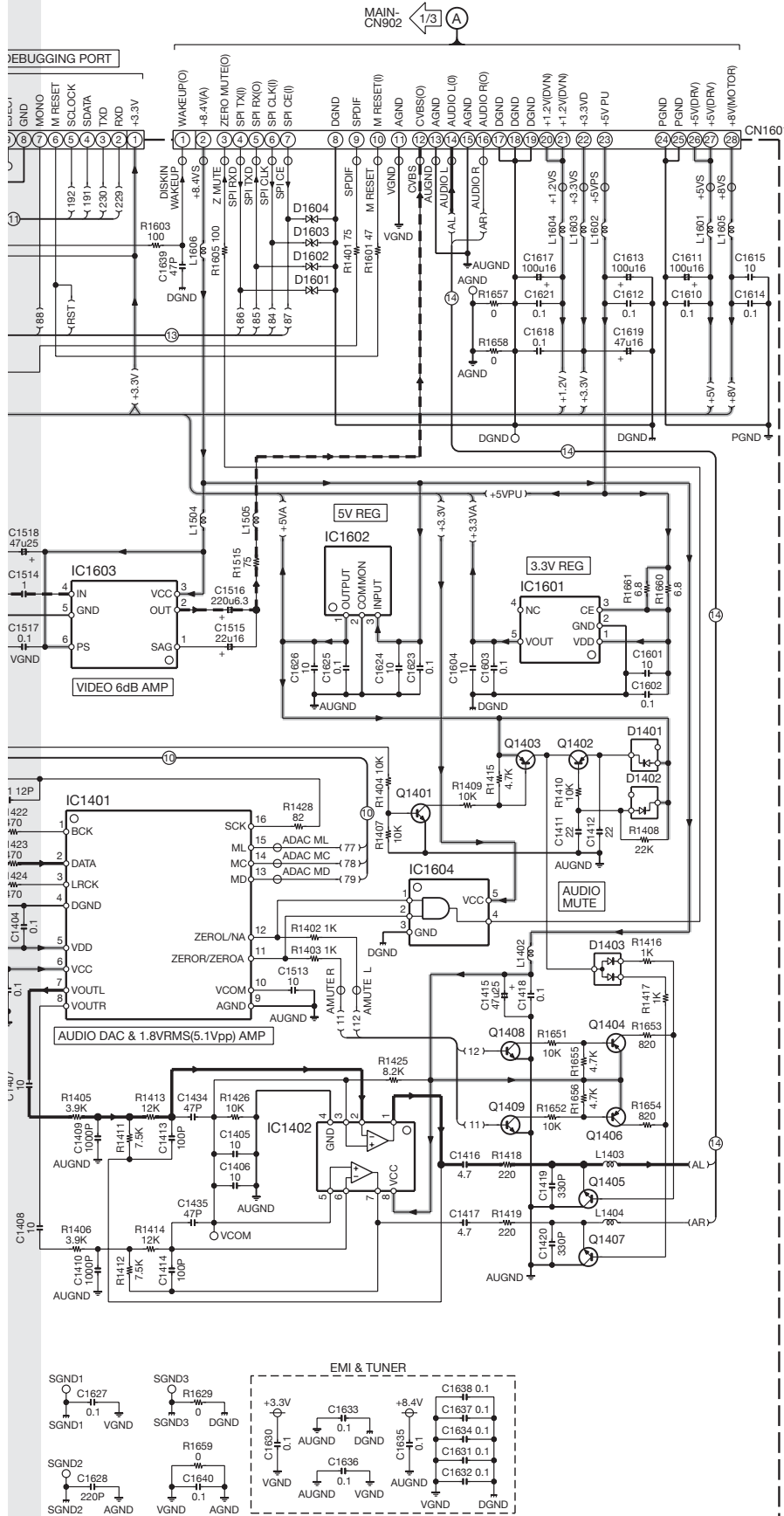
IC203	: OISTLT1071A	Q301,302,305,322,415	: 0TR387509AC
IC301	: OIPMG78431A	Q303,307,316	: OIPMGON018A
IC302,307	: OIPMG78479G	Q304,309,317-319,321	: 0TR105009AA
IC303	: OIPMG78430B	402,403	: 0TR150409AC
IC304	: EAN35237401	Q306,401	: 0TRRH80034A
IC305	: OIPMGKE053A	Q320,705,706	: 0TR105009AC
IC306	: EAN37193101	Q701-704,707-710	: 0TR231239AA
IC401	: EAN36171501	D101	: 0DD226009AA
IC402	: OIPMGAU002A	D301,307	: 0DD181009AA
IC403	: OIPRPJR004A	D302,303,308-310,401,	: 0DD406,410,411
IC501	: OISTLPH065A	D304	: 0DD160009AB
IC601	: E-TDA7419	D305,306	: 0DD54020CD
IC701,702	: OILNRAU017A	D801,802	: 0DD184009AC
IC801	: TB2923HQ	ZD301	: 0DR160408AA
		ZD302,305	: 0DZ028209AA
		ZD303,306	: 0DZ021629AA
		ZD304	: 0DZKE00158A
		ZD401-410	: 0DZKE00088A
		ZD411,412	: 0DZKE00315A
			: EAH38631601

- | | |
|----------------------|--------------------------|
| IC1201 : AN41204A | Q1101 : 0TRRH80008A |
| IC1202 : BD7931F | Q1102 : UMC5N |
| IC1301 : EAN36448501 | Q1103 : 0TRRH80022A |
| IC1302 : NOT USED | Q1104 : 0TR114000AB |
| IC1401 : 0IPRPBB006A | Q1303,1304 : 0TR387509AC |
| IC1402 : 0ILNRAU017A | Q1401,1405,1407-1409 |
| IC1501 : 0IMMRHY015E | : 0TRKE80037A |
| IC1502 : EAN36433701 | Q1402-1404,1406 |
| IC1503 : EAN37730101 | : 0TR201409BA |
| IC1601 : EAN36697601 | |
| IC1602 : 0IKE780500S | D1401,1402 : 0DD193009AB |
| IC1603 : 0IPRPM002A | D1403 : 0DSRM00118A |
| IC1604 : 0ISTLPH028A | |









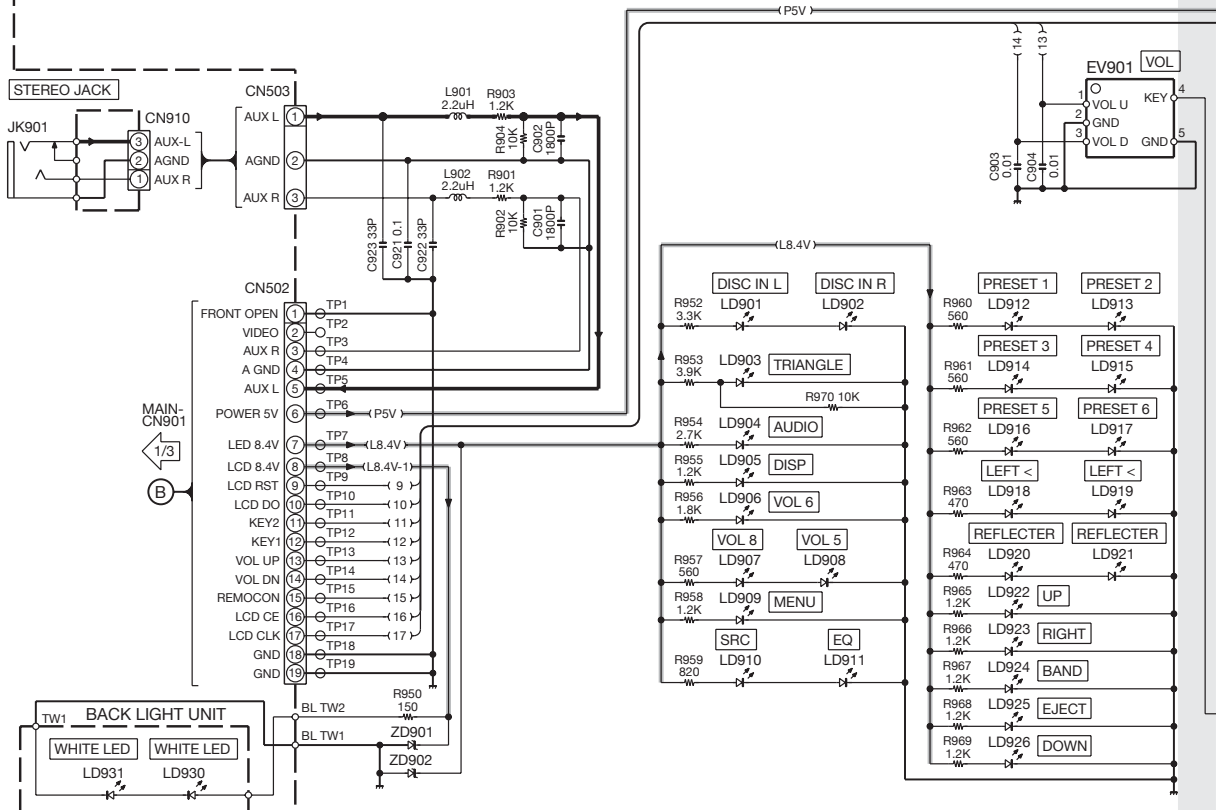
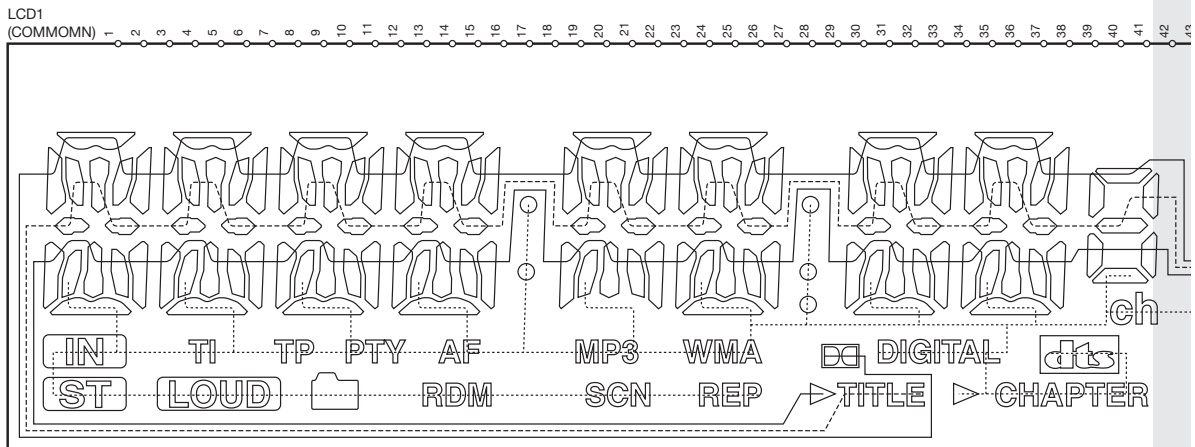
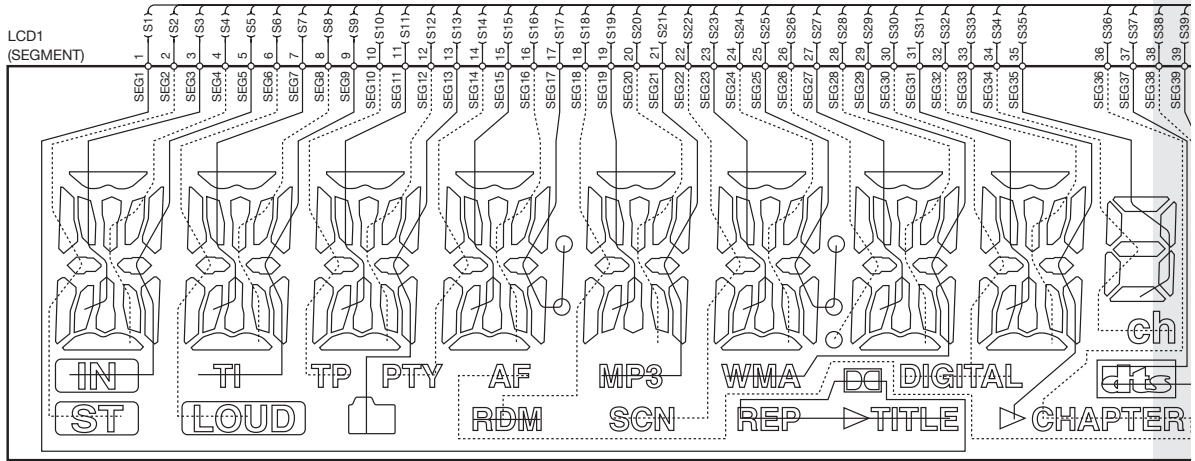
CAUTION : For continued safety, replace safety critical components only with manufacturer's recommended parts (refer to parts list).

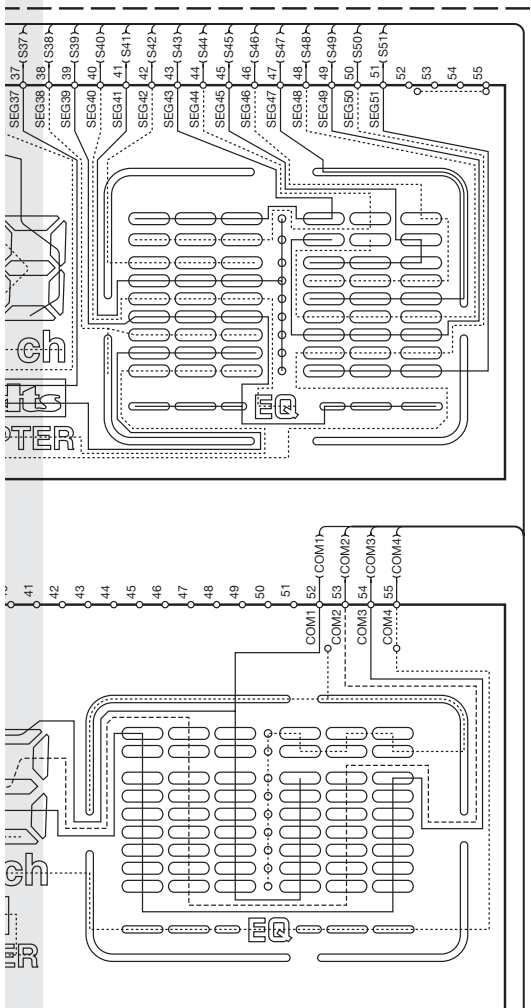
⚠Indicates safety critical components. To reduce the risk of electric shock, leakage-current or resistance measurements shall be carried out (exposed parts are acceptably insulated from the supply circuit) before the appliance is returned to the customer.

- DC voltages are as measured with a high impedance voltmeter. Values may vary slightly due to variations between individual instruments or/and units.

KDV-3241Y/MP4339 /MP4439/MP5032

FRONT UNIT





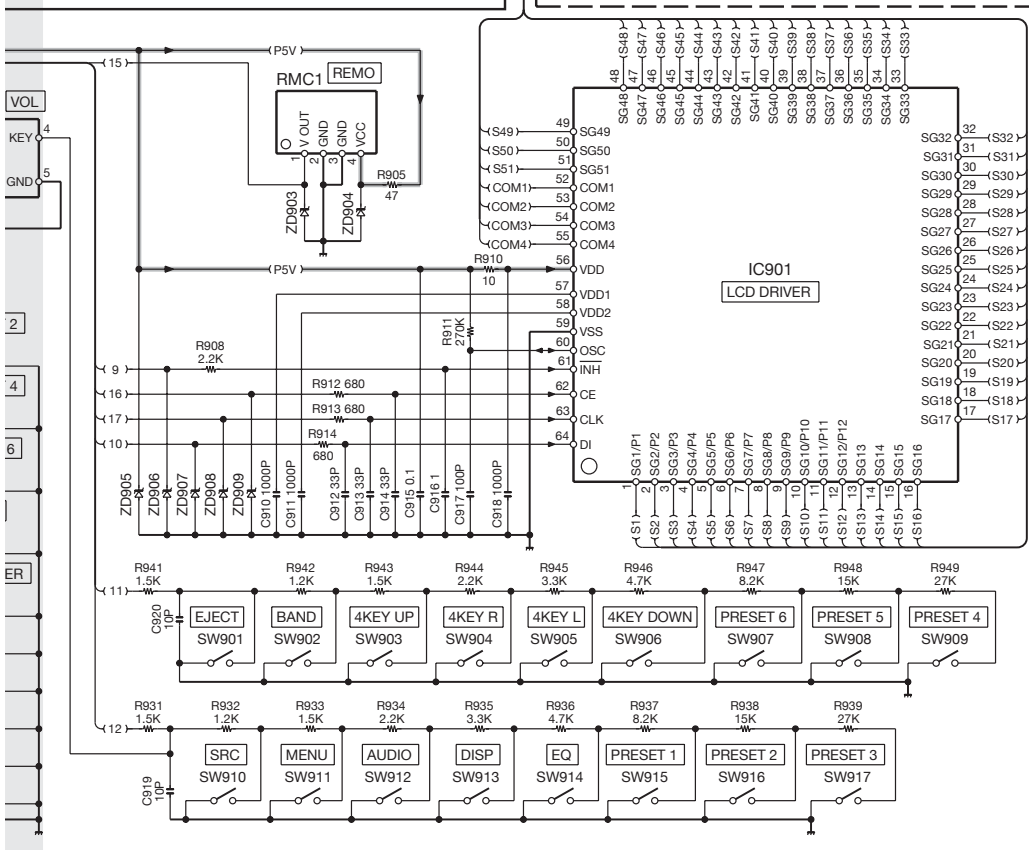
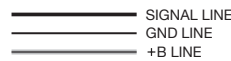
CAUTION : For continued safety, replace safety critical components only with manufacturer's recommended parts (refer to parts list).
 ▲Indicates safety critical components. To reduce the risk of electric shock, leakage-current or resistance measurements shall be carried out (exposed parts are acceptably insulated from the supply circuit) before the appliance is returned to the customer.

- DC voltages are as measured with a high impedance voltmeter. Values may vary slightly due to variations between individual instruments or/and units.

IC901 : OILNRPY004B
 RMC1 : EAV41992401

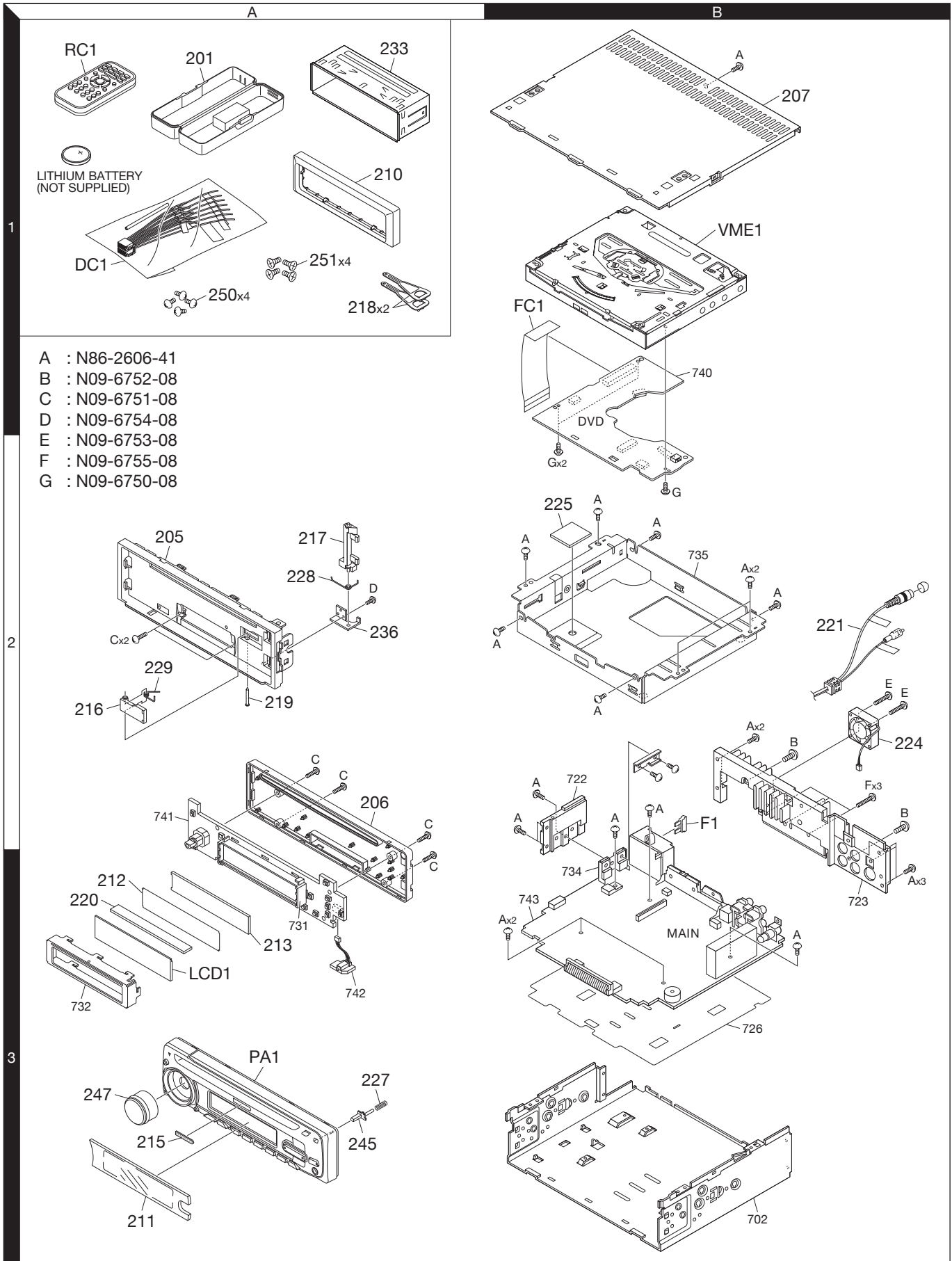
LD901-903 : B30-3206-08
 LD904-926 : B30-3207-08
 LD930,931 : B30-3205-08

ZD901,902 : ODZKE00188A
 ZD903-909 : ODZKE00318A



KDV-3241Y/MP4339/MP4439/MP5032 (3/3)

EXPLODED VIEW



Parts with the exploded numbers larger than 700 are not supplied.

PARTS LIST

* New parts

Parts without **Parts No.** are not supplied.

Les articles non mentionnés dans le **Parts No.** ne sont pas fournis.

Teile ohne **Parts No.** werden nicht geliefert.

Ref. No.	Added	New	Parts No.	Description	Destination
KDV-3241Y/MP4339/MP4439/MP5032					
201	1A	*	A02-2758-08	PLASTIC CABINET	
205	2A	*	A22-3203-08	SUB PANEL ASSY	
206	2A	*	A46-1883-08	REAR COVER	
207	1B	*	A52-1108-08	TOP PLATE	
PA1	3A	*	A64-4707-08	PANEL ASSY	M1
PA1	3A	*	A64-4708-08	PANEL ASSY	X1
PA1	3A	*	A64-4709-08	PANEL ASSY	E1
PA1	3A	*	A64-4710-08	PANEL ASSY	R1
RC1	1A	*	A70-2094-08	REMOTE CONTROLLER AS (RC-DV460)	
TDF1		*	A64-4703-08	TDF SPARE-PANEL (COVER PAGE)	M1
TDF1		*	A64-4704-08	TDF SPARE-PANEL (COVER PAGE)	X1
TDF1		*	A64-4705-08	TDF SPARE-PANEL (COVER PAGE)	E1
TDF1		*	A64-4706-08	TDF SPARE-PANEL (COVER PAGE)	R1
-		*	B64-4139-08	INSTRUCTION MANUAL (ENG.)	X1
-		*	B64-4140-08	INSTRUCTION MANUAL (ENG.ARA.)	M1
-		*	B64-4141-08	INSTRUCTION MANUAL (ENG.RUS.)	E1
-		*	B64-4142-08	INSTRUCTION MANUAL (ENG.SPA.)	R1
210	1A	*	B01-0950-08	PANEL ESCUTCHEON	
211	3A	*	B10-5202-08	FRONT GLASS	M1X1
211	3A	*	B10-5203-08	FRONT GLASS	E1R1
212	3A	*	B11-2024-08	OPTICAL DIFFUSER	
213	3A	*	B19-2517-08	LIGHTING BOARD	
215	3A	*	B43-1544-08	BADGE	
LCD1	3A	*	B38-1207-08	LCD	
216	1A	*	D10-7046-08	LEVER	
217	2A	*	D10-7047-08	LEVER	
218	1A	*	D10-7048-08	LEVER	
219	2A	*	D21-2512-08	SHAFT	
VME1	1B	*	D40-2224-08	DVD MECHANISM ASSY	
220	3A	*	E29-2131-08	CONDUCTIVE RUBBER	
221	1B	*	E30-6854-08	CORD WITH CONNECTOR (V-OUT/H.B)	
DC1	1A	*	E30-6855-08	DC CORD ASSY	
224	2B	*	F09-2988-08	FAN	
225	2B	*	F09-2989-08	SHEET	
227	3A	*	G01-4694-08	COMPRESSION SPRING	
228	2A	*	G09-2087-08	SPRING	
229	2A	*	G09-2088-08	SPRING	
-		*	H54-4363-08	ITEM CARTON CASE	M1
-		*	H54-4364-08	ITEM CARTON CASE	E1
-		*	H54-4365-08	ITEM CARTON CASE	X1
-		*	H54-4366-08	ITEM CARTON CASE	X1R1
233	1A	*	J22-0795-08	MOUNTING HARDWARE (SLEEVE)	
236	2A	*	J22-0798-08	MOUNTING HARDWARE	
FC1	1B	*	J86-0056-08	FLAT CABLE (LEAD FREE)	
245	3A	*	K24-4968-08	PUSH KNOB (RELEASE)	
247	3A	*	K28-0350-08	KNOB ASSY (VOL)	
250	1A	*	N09-6756-08	SCREW (M4X6 TAPTITE)	
251	1A	*	N09-6757-08	SCREW (M4 FLAT TAPTITE)	
A	2B	*	N86-2606-41	SCREW	
B	2B	*	N09-6752-08	SCREW	

Ref. No.	Added	New	Parts No.	Description	Destination
C	2A	*	N09-6751-08	SCREW	
D	2A	*	N09-6754-08	SCREW 2X6	
E	2B	*	N09-6753-08	SCREW	
F	2B	*	N09-6755-08	SCREW	
G	2B	*	N09-6750-08	SCREW	
MAIN UNIT					
C101		*	C93-1478-08	CHIP C	12PF J
C102			CK73GB1C104K	CHIP C	0.10UF K
C103			CC73GCH1H102J	CHIP C	1000PF J
C104			CD04AS1C101M	ELECTRO	100UF 16WW
C105,106			CC73GCH1H102J	CHIP C	1000PF J
C107		*	C93-1477-08	CHIP C	100PF J
C108			CK73GB1C104K	CHIP C	0.10UF K
C109			CD04AS1C101M	ELECTRO	100UF 16WW
C110		*	C93-1477-08	CHIP C	100PF J
C113,114			CK73GB1C104K	CHIP C	0.10UF K
C115,116		*	C93-1482-08	CHIP C	33PF J
C118		*	C93-1475-08	CHIP C	0.068UF K
C119			CC73GCH1H102J	CHIP C	1000PF J
C120		*	C93-1477-08	CHIP C	100PF J
C121		*	C93-1471-08	CHIP C	0.10UF K
C122			CK73GB1C104K	CHIP C	0.10UF K
C201-205			CK73GB1C104K	CHIP C	0.10UF K
C206,207		*	C90-6874-08	ELECTRO	330UF 16WW
C208			CK73GB1C104K	CHIP C	0.10UF K
C209			CD04AS1C101M	ELECTRO	100UF 16WW
C221			CD04AS1C101M	ELECTRO	100UF 16WW
C226,227		*	C93-1482-08	CHIP C	33PF J
C228,229			CK73GB1C104K	CHIP C	0.10UF K
C302		*	C93-1484-08	CHIP C	4.7PF J
C303-305			CK73GB1C104K	CHIP C	0.10UF K
C307			CD04AS1C101M	ELECTRO	100UF 16WW
C308			CK73GB1C104K	CHIP C	0.10UF K
C309		*	C90-6867-08	ELECTRO	3300UF 16WW
C310			CK73GB1H104K	CHIP C	0.10UF K
C311			CK73GB1C104K	CHIP C	0.10UF K
C312,313			CD04AS1C101M	ELECTRO	100UF 16WW
C314			CK73GB1H104K	CHIP C	0.10UF K
C315			CK73GB1C104K	CHIP C	0.10UF K
C316		*	C93-1473-08	CHIP C	0.22UF K
C317			CK73FB1C105K	CHIP C	1.0UF K
C318		*	C90-6874-08	ELECTRO	330UF 16WW
C319			CD04AS1C101M	ELECTRO	100UF 16WW
C320,321			CK73GB1C104K	CHIP C	0.10UF K
C322		*	C90-6874-08	ELECTRO	330UF 16WW
C323			CD04AS1C101M	ELECTRO	100UF 16WW
C324			CK73GB1H104K	CHIP C	0.10UF K
C325			CK73FB1C105K	CHIP C	1.0UF K
C326			CK73GB1H104K	CHIP C	0.10UF K
C327			CD04AT1H4R7M	ELECTRO	4.7UF 50WW
C328			CK73GB1C104K	CHIP C	0.10UF K
C329			CD04AT1C470M	ELECTRO	47UF 16WW
C331			CD04AS1C101M	ELECTRO	100UF 16WW
C336		*	C90-6874-08	ELECTRO	330UF 16WW
C337			CK73GB1C104K	CHIP C	0.10UF K

E1 : KDV-3241Y (Europe) **R1** : KDV-MP5032 (Latin America)
X1 : KDV-MP4439 (Australia) **M1** : KDV-MP4339 (Other Areas)

△ Indicates safety critical components.

PARTS LIST

MAIN UNIT

Ref. No.	Add	New	Parts No.	Description	Destination
C338		*	C90-6872-08	ELECTRO 100UF 16WV	
C339			CK73GB1C104K	CHIP C 0.10UF K	
C343			CK73GB1C104K	CHIP C 0.10UF K	
C401,402		*	C93-1481-08	CHIP C 20PF J	
C403		*	C93-1479-08	CHIP C 15PF J	
C404		*	C93-1482-08	CHIP C 33PF J	
C405		*	C90-6869-08	ELECTRO 10UF 16WV	
C406			CK73GB1C104K	CHIP C 0.10UF K	
C407		*	C90-6871-08	ELECTRO 0.1F	
C408			CD04AS1C101M	ELECTRO 100UF 16WV	
C409			CK73GB1C104K	CHIP C 0.10UF K	
C410		*	C93-1477-08	CHIP C 100PF J	
C411,412			CK73GB1H103K	CHIP C 0.010UF K	
C413,414		*	C93-1472-08	CHIP C 0.022UF K	
C415,416			CK73GB1C104K	CHIP C 0.10UF K	
C417-420		*	C93-1482-08	CHIP C 33PF J	
C421			CD04AS1C101M	ELECTRO 100UF 16WV	
C422-424			CK73GB1C104K	CHIP C 0.10UF K	
C428			CK73GB1H103K	CHIP C 0.010UF K	
C429		*	C93-1502-08	CHIP C 22UF Z	
C430			CD04AT1C470M	ELECTRO 47UF 16WV	
C431,432		*	C93-1483-08	CHIP C 47PF J	
C433,434		*	C90-6874-08	ELECTRO 330UF 16WV	
C436,437		*	C93-1483-08	CHIP C 47PF J	
C439			CK73GB1C104K	CHIP C 0.10UF K	
C440		*	C93-1485-08	CHIP C 56PF J	
C441		*	C93-1502-08	CHIP C 22UF Z	
C445			CK73GB1H104K	CHIP C 0.10UF K	
C501			CD04AS1C101M	ELECTRO 100UF 16WV	
C502			CK73GB1C104K	CHIP C 0.10UF K	
C503		*	C93-1482-08	CHIP C 33PF J	
C601		*	C90-6869-08	ELECTRO 10UF 16WV	
C602-604		*	C90-6870-08	ELECTRO 4.7UF 16WV	
C606-609		*	C90-6870-08	ELECTRO 4.7UF 16WV	
C610,611			CK73FB1C105K	CHIP C 1.0UF K	
C612,613		*	C90-6870-08	ELECTRO 4.7UF 16WV	
C614,615		*	C93-1500-08	CHIP C 1500PF K	
C616		*	C90-6870-08	ELECTRO 4.7UF 16WV	
C632			CD04AS1C101M	ELECTRO 100UF 16WV	
C633,634			CK73GB1C104K	CHIP C 0.10UF K	
C636			CD04AT1C220M	ELECTRO 22UF 16WV	
C637,638		*	C93-1479-08	CHIP C 15PF J	
C701		*	C90-6870-08	ELECTRO 4.7UF 16WV	
C702		*	C93-1480-08	CHIP C 150PF J	
C703		*	C93-1485-08	CHIP C 56PF J	
C704		*	C90-6870-08	ELECTRO 4.7UF 16WV	
C706			CK73GB1H104K	CHIP C 0.10UF K	
C707			CD04AS1C101M	ELECTRO 100UF 16WV	
C708		*	C93-1480-08	CHIP C 150PF J	
C709			CD04AS1C101M	ELECTRO 100UF 16WV	
C710			CK73GB1C104K	CHIP C 0.10UF K	
C711		*	C90-6870-08	ELECTRO 4.7UF 16WV	
C712		*	C93-1486-08	CHIP C 68PF J	
C713		*	C93-1476-08	CHIP C 10PF J	
C714		*	C90-6870-08	ELECTRO 4.7UF 16WV	

Ref. No.	Add	New	Parts No.	Description	Destination
C715		*	C93-1476-08	CHIP C 10PF J	
C716		*	C93-1485-08	CHIP C 56PF J	
C716		*	C93-1486-08	CHIP C 68PF J	
C717			CK73GB1C104K	CHIP C 0.10UF K	
C718			CD04AS1C101M	ELECTRO 100UF 16WV	
C719			CK73GB1C104K	CHIP C 0.10UF K	
C720			CD04AS1C101M	ELECTRO 100UF 16WV	
C721		*	C90-6870-08	ELECTRO 4.7UF 16WV	
C722-725		*	C93-1477-08	CHIP C 100PF J	
C726-728		*	C90-6870-08	ELECTRO 4.7UF 16WV	
C730			CK73GB1C104K	CHIP C 0.10UF K	
C801-804		*	C93-1501-08	CHIP C 1800PF K	
C805		*	C90-6868-08	ELECTRO 0.1UF 50WV	
C806			CD04AT1C470M	ELECTRO 47UF 16WV	
C807-809		*	C93-1474-08	CHIP C 0.47UF K	
C810			CD04AY1H010M	ELECTRO 1.0UF 50WV	
C811		*	C93-1474-08	CHIP C 0.47UF K	
C812,813		*	C93-1473-08	CHIP C 0.22UF K	
C814-817		*	C93-1474-08	CHIP C 0.47UF K	
CN101		*	E68-0822-08	JACK (OTHERS)	
CN402			E41-2550-05	PIN ASSY	
CN403		*	E41-3032-08	PIN ASSY	
CN801		*	E58-1111-08	RECTANGULAR RECEPTACLE	
CN901		*	E58-1112-08	RECTANGULAR RECEPTACLE	
CN902		*	E41-3033-08	FLAT CABLE CONNECTOR	
JK501		*	E56-0882-08	CYLINDRICAL RECEPTACLE	
JK703		*	E63-0959-08	PIN JACK	
F203		*	F53-0416-08	LITTLE FUSE 3A	
F301,302		*	F53-0415-08	LITTLE FUSE 250MA	
F303		*	F53-0416-08	LITTLE FUSE 3A	
F702		*	F53-0416-08	LITTLE FUSE 3A	
L101		*	L33-2486-08	SMALL FIXED INDUCTOR	
L104-106		*	L33-2485-08	SMALL FIXED INDUCTOR	
L201,202		*	L33-2485-08	SMALL FIXED INDUCTOR	
L205-208		*	L33-2485-08	SMALL FIXED INDUCTOR	
L301		*	L33-2483-08	CHOKE COIL	
L302		*	L33-2485-08	SMALL FIXED INDUCTOR	
L303		*	L33-2484-08	SMALL FIXED INDUCTOR	
L401-409		*	L33-2485-08	SMALL FIXED INDUCTOR	
L411		*	L33-2485-08	SMALL FIXED INDUCTOR	
L414-416		*	L33-2485-08	SMALL FIXED INDUCTOR	
L501		*	L33-2485-08	SMALL FIXED INDUCTOR	
L502		*	L33-2487-08	SMALL FIXED INDUCTOR	
L503		*	L33-2485-08	SMALL FIXED INDUCTOR	
L601,602		*	L33-2484-08	SMALL FIXED INDUCTOR	
L701,702		*	L33-2485-08	SMALL FIXED INDUCTOR	
X401		*	L78-1228-08	RESONATOR	
X402		*	L77-2994-08	CRYSTAL RESONATOR	
R101			RK73GB2A100J	CHIP R 10 J 1/10W	
R102-104			RK73GB2A221J	CHIP R 220 J 1/10W	
R106			RK73GB2A221J	CHIP R 220 J 1/10W	
R107			RK73GB2A103J	CHIP R 10K J 1/10W	
R108,109			RK73GB2A471J	CHIP R 470 J 1/10W	

E1 : KDV-3241Y (Europe) R1 : KDV-MP5032 (Latin America)
X1 : KDV-MP4439 (Australia) M1 : KDV-MP4339 (Other Areas)

△Indicates safety critical components.

PARTS LIST

MAIN UNIT

Ref. No.	Add	New	Parts No.	Description	Destination	Ref. No.	Add	New	Parts No.	Description	Destination
R111,112			RK73GB2A222J	CHIP R 2.2K J 1/10W		R427			RK73GB2A102J	CHIP R 1.0K J 1/10W	
R113,114			RK73GB2A473J	CHIP R 47K J 1/10W		R428			RK73GB2A000J	CHIP R 0.0 J 1/10W	
R115			RK73GB2A221J	CHIP R 220 J 1/10W		R429,430			RK73GB2A103J	CHIP R 10K J 1/10W	
R117-120			RK73FB2B000J	CHIP R 0.0 J 1/8W		R431,432			RK73GB2A473J	CHIP R 47K J 1/10W	
R205			RK73GB2A103J	CHIP R 10K J 1/10W		R433,434			RK73GB2A105J	CHIP R 1.0M J 1/10W	
R250			RK73GB2A221J	CHIP R 220 J 1/10W		R435,436			RK73GB2A103J	CHIP R 10K J 1/10W	
R251			RK73GB2A102J	CHIP R 1.0K J 1/10W		R437			RK73GB2A221J	CHIP R 220 J 1/10W	
R252			RK73GB2A221J	CHIP R 220 J 1/10W		R438			RK73GB2A102J	CHIP R 1.0K J 1/10W	
R253			RK73GB2A102J	CHIP R 1.0K J 1/10W		R439,440			RK73GB2A472J	CHIP R 4.7K J 1/10W	
R301,302			RK73GB2A224J	CHIP R 220K J 1/10W		R441,442			RK73GB2A102J	CHIP R 1.0K J 1/10W	
R303,304			RK73GB2A103J	CHIP R 10K J 1/10W		R444			RK73GB2A222J	CHIP R 2.2K J 1/10W	
R305-307			RK73GB2A473J	CHIP R 47K J 1/10W		R445			RK73GB2A221J	CHIP R 220 J 1/10W	
R308			RK73GB2A222J	CHIP R 2.2K J 1/10W		R446			RK73GB2A471J	CHIP R 470 J 1/10W	
R309			RK73FB2B473J	CHIP R 47K J 1/8W		R447			RK73GB2A221J	CHIP R 220 J 1/10W	
R310		*	R92-5238-08	CHIP R 330K J 1/8W		R448,449			RK73GB2A222J	CHIP R 2.2K J 1/10W	
R311			RK73GB2A272J	CHIP R 2.7K J 1/10W		R450			RK73GB2A104J	CHIP R 100K J 1/10W	
R312			RK73GB2A103J	CHIP R 10K J 1/10W		R451			RK73GB2A334J	CHIP R 330K J 1/10W	
R313			RK73GB2A123J	CHIP R 12K J 1/10W		R452		*	R92-5229-08	CHIP R 4.7M J 1/10W	
R317			RK73GB2A103J	CHIP R 10K J 1/10W		R453,454			RK73GB2A221J	CHIP R 220 J 1/10W	
R318			RK73GB2A332J	CHIP R 3.3K J 1/10W		R455			RK73GB2A472J	CHIP R 4.7K J 1/10W	
R319			RK73GB2A222J	CHIP R 2.2K J 1/10W		R456			RK73GB2A102J	CHIP R 1.0K J 1/10W	
R320,321			RK73GB2A332J	CHIP R 3.3K J 1/10W		R460			RK73HH1J750D	CHIP R 75 D 1/16W	
R322			RK73FB2B152J	CHIP R 1.5K J 1/8W		R462			RK73HH1J750D	CHIP R 75 D 1/16W	
R324			RK73GB2A332J	CHIP R 3.3K J 1/10W		R463			RK73GB2A473J	CHIP R 47K J 1/10W	
R325			RK73GB2A472J	CHIP R 4.7K J 1/10W		R464,465			RK73GB2A391J	CHIP R 390 J 1/10W	
R326			RK73GB2A103J	CHIP R 10K J 1/10W		R470			RK73GB2A124J	CHIP R 120K J 1/10W	
R327			RK73FB2B393J	CHIP R 39K J 1/8W		R471			RK73GB2A472J	CHIP R 4.7K J 1/10W	
R328			RK73GB2A473J	CHIP R 47K J 1/10W		R472			RK73GB2A102J	CHIP R 1.0K J 1/10W	
R329-330			RK73GB2A472J	CHIP R 4.7K J 1/10W		R473			RK73GB2A473J	CHIP R 47K J 1/10W	
R331			RK73GB2A102J	CHIP R 1.0K J 1/10W		R474			RK73GB2A563J	CHIP R 56K J 1/10W	
R332			RK73GB2A101J	CHIP R 100 J 1/10W		R475			RK73GB2A000J	CHIP R 0.0 J 1/10W	
R333			RK73FB2B103J	CHIP R 10K J 1/8W		R478			RK73GB2A221J	CHIP R 220 J 1/10W	
R334			RK73FB2B332J	CHIP R 3.3K J 1/8W		R481			RK73GB2A473J	CHIP R 47K J 1/10W	
R335			RK73FB2B103J	CHIP R 10K J 1/8W		R484			RK73GB2A122J	CHIP R 1.2K J 1/10W	
R336			RK73FB2B332J	CHIP R 3.3K J 1/8W		R501			RK73GB2A331J	CHIP R 330 J 1/10W	
R337			RK73GB2A101J	CHIP R 100 J 1/10W		R603			RK73GB2A222J	CHIP R 2.2K J 1/10W	
R338			RK73FB2B391J	CHIP R 390 J 1/8W		R605			RK73GB2A222J	CHIP R 2.2K J 1/10W	
R339			RK73GB2A220J	CHIP R 22 J 1/10W		R606,607			RK73GB2A473J	CHIP R 47K J 1/10W	
R340			RK73GB2A102J	CHIP R 1.0K J 1/10W		R701			RK73GB2A104J	CHIP R 100K J 1/10W	
R344,345			RK73GB2A473J	CHIP R 47K J 1/10W		R702			RK73GB2A123J	CHIP R 12K J 1/10W	
R401			RK73GB2A100J	CHIP R 10 J 1/10W		R703			RK73GB2A153J	CHIP R 15K J 1/10W	
R401			RK73GB2A472J	CHIP R 4.7K J 1/10W		R704			RK73GB2A104J	CHIP R 100K J 1/10W	
R403			RK73GB2A221J	CHIP R 220 J 1/10W		R705			RK73GB2A123J	CHIP R 12K J 1/10W	
R404,405			RK73GB2A103J	CHIP R 10K J 1/10W		R706			RK73GB2A153J	CHIP R 15K J 1/10W	
R406			RK73GB2A561J	CHIP R 560 J 1/10W		R707			RK73GB2A822J	CHIP R 8.2K J 1/10W	
R407-409			RK73GB2A221J	CHIP R 220 J 1/10W		R708			RK73GB2A821J	CHIP R 820 J 1/10W	
R411			RK73GB2A101J	CHIP R 100 J 1/10W		R709			RK73GB2A103J	CHIP R 10K J 1/10W	
R412			RK73GB2A105J	CHIP R 1.0M J 1/10W		R710			RK73GB2A123J	CHIP R 12K J 1/10W	
R413			RK73GB2A561J	CHIP R 560 J 1/10W		R711			RK73GB2A153J	CHIP R 15K J 1/10W	
R414,415			RK73GB2A221J	CHIP R 220 J 1/10W		R712,713			RK73GB2A104J	CHIP R 100K J 1/10W	
R416			RK73GB2A105J	CHIP R 1.0M J 1/10W		R714			RK73GB2A123J	CHIP R 12K J 1/10W	
R417			RK73GB2A473J	CHIP R 47K J 1/10W		R715			RK73GB2A153J	CHIP R 15K J 1/10W	
R418,419			RK73GB2A221J	CHIP R 220 J 1/10W		R716			RK73GB2A822J	CHIP R 8.2K J 1/10W	
R421-423			RK73GB2A104J	CHIP R 100K J 1/10W		R717			RK73GB2A821J	CHIP R 820 J 1/10W	
R424			RK73GB2A472J	CHIP R 4.7K J 1/10W		R718			RK73GB2A103J	CHIP R 10K J 1/10W	
R425,426			RK73GB2A221J	CHIP R 220 J 1/10W							

E1 : KDV-3241Y (Europe) R1 : KDV-MP5032 (Latin America)
X1 : KDV-MP4439 (Australia) M1 : KDV-MP4339 (Other Areas)

△ Indicates safety critical components.

PARTS LIST

MAIN UNIT

Ref. No.	Add	New	Parts No.	Description	Destination
R719			RK73GB2A101J	CHIP R 100 J 1/10W	E1X1M1
R720-723			RK73GB2A104J	CHIP R 100K J 1/10W	
R724-726			RK73GB2A101J	CHIP R 100 J 1/10W	
R727			RK73GB2A473J	CHIP R 47K J 1/10W	
R729			RK73GB2A224J	CHIP R 220K J 1/10W	
R741,742			RK73GB2A000J	CHIP R 0.0 J 1/10W	
R743			RK73GB2A103J	CHIP R 10K J 1/10W	
R801			RK73GB2A102J	CHIP R 1.0K J 1/10W	
R802-805			RK73GB2A122J	CHIP R 1.2K J 1/10W	
R806-809			RK73GB2A103J	CHIP R 10K J 1/10W	
R810			RK73GB2A102J	CHIP R 1.0K J 1/10W	
SW401	*		S70-0952-08	TACT SWITCH	
BU302	*		T95-0278-08	PIEZOELECTRIC VIBRATOR (BUZZER)	
D101	*		ODD226009AA	DIODE	
D301	*		ODD181009AA	DIODE	
D302,303	*		ODD160009AB	DIODE	
D304	*		ODD540200CD	DIODE	
D305,306	*		ODD184009AC	DIODE	
D307	*		ODD181009AA	DIODE	
D308-310	*		ODD160009AB	DIODE	
D401	*		ODD160009AB	DIODE	
D402	*		ODD160009AB	DIODE	
D406	*		ODD160009AB	DIODE	
D410,411	*		ODD160009AB	DIODE	
D801,802	*		ODR160408AA	DIODE	
IC203	*		O1STLT1071A	MOS-IC	
IC301	*		O1PMG78431A	ANALOGUE IC	
IC302	*		O1PMG78473G	ANALOGUE IC	
IC303	*		O1PMG78430B	ANALOGUE IC	
IC304	*		EAN35237401	ANALOGUE IC	
IC305	*		O1PMGKE053A	ANALOGUE IC	
IC306	*		EAN37193101	ANALOGUE IC	
IC307	*		O1PMG78473G	ANALOGUE IC	
IC401	*		EAN36171501	MICROCONTROLLER IC	
IC402	*		O1PMGAU002A	MOS-IC	
IC403	*		O1PRPJ0004A	MOS-IC	
IC501	*		O1STLPH065A	MOS-IC	
IC601	*		E-TDA7419	ANALOGUE IC	
IC701,702	*		O1LNRAU017A	ANALOGUE IC	
IC801	*		TB2923HQ	ANALOGUE IC	
Q301,302	*		QTR387509AC	TRANSISTOR	
Q303	*		O1PMGON018A	FET	
Q304	*		QTR105009AA	TRANSISTOR	
Q305	*		QTR387509AC	TRANSISTOR	
Q306	*		QTR150409AC	TRANSISTOR	
Q307	*		O1PMGON018A	FET	
Q308	*		QTRRH80034A	TRANSISTOR	
Q309	*		QTR105009AA	TRANSISTOR	
Q316	*		O1PMGON018A	FET	
Q317-319	*		QTR105009AA	TRANSISTOR	
Q320	*		QTR105009AC	TRANSISTOR	
Q321	*		QTR105009AA	TRANSISTOR	
Q322	*		QTR387509AC	TRANSISTOR	

Ref. No.	Add	New	Parts No.	Description	Destination	
Q401		*	QTRRH80034A	TRANSISTOR	M1X1R1 E1	
Q402,403		*	QTR105009AA	TRANSISTOR		
Q415		*	QTR387509AC	TRANSISTOR		
Q701-704		*	QTR231239AA	TRANSISTOR		
Q705,706		*	QTR105009AC	TRANSISTOR		
Q707-710		*	QTR231239AA	TRANSISTOR		
ZD301		*	ODZ028209AA	ZENER DIODE		
ZD302		*	ODZ021629AA	ZENER DIODE		
ZD303		*	ODZKE00158A	ZENER DIODE		
ZD304		*	ODZKE00088A	ZENER DIODE		
ZD305		*	ODZ021629AA	ZENER DIODE		
ZD306		*	ODZKE00158A	ZENER DIODE		
ZD401-410		*	ODZKE00318A	ZENER DIODE		
ZD411,412		*	EAH38631601	THYRISTOR		
TU101		*	W02-5332-08	FM/AM FRONT-END		
TU101		*	W02-5333-08	FM/AM FRONT-END		
FRONT UNIT						
LD901-903		*	B30-3206-08	LED		M1X1R1 E1
LD904-926		*	B30-3207-08	LED		
LD930,931		*	B30-3205-08	LED		
C901,902		*	C93-1501-08	CHIP C 1800PF K		
C910,911		*	CC73GCH1H102J	CHIP C 1000PF J		
C912-914		*	C93-1482-08	CHIP C 33PF J		
C915		*	CK73GB1H104K	CHIP C 0.10UF K		
C916		*	CK73FB1C105K	CHIP C 1.0UF K		
C917		*	C93-1477-08	CHIP C 100PF J		
C918		*	CC73GCH1H102J	CHIP C 1000PF J		
C919,920		*	C93-1476-08	CHIP C 10PF J		
C921		*	CK73GB1H104K	CHIP C 0.10UF K		
C922,923		*	C93-1482-08	CHIP C 33PF J		
CN502		*	E59-0856-08	RECTANGULAR PLUG		
CN503		*	E41-3034-08	PIN ASSY		
CN901		*	E30-6856-08	CORD WITH CONNECTOR		
JK901		*	E11-0661-08	3.5D PHONE JACK		
L901,902		*	L33-2485-08	SMALL FIXED INDUCTOR		
R901		*	RK73GB2A122J	CHIP R 1.2K J 1/10W		
R902		*	RK73GB2A103J	CHIP R 10K J 1/10W		
R903		*	RK73GB2A122J	CHIP R 1.2K J 1/10W		
R904		*	RK73GB2A103J	CHIP R 10K J 1/10W		
R905		*	RK73GB2A470J	CHIP R 47 J 1/10W		
R908		*	RK73GB2A222J	CHIP R 2.2K J 1/10W		
R910		*	RK73GB2A100J	CHIP R 10 J 1/10W		
R911		*	RK73GB2A274J	CHIP R 270K J 1/10W		
R912-914		*	RK73GB2A681J	CHIP R 680 J 1/10W		
R931		*	RK73GB2A152J	CHIP R 1.5K J 1/10W		
R932		*	RK73GB2A122J	CHIP R 1.2K J 1/10W		
R933		*	RK73GB2A152J	CHIP R 1.5K J 1/10W		
R934		*	RK73GB2A222J	CHIP R 2.2K J 1/10W		
R935		*	RK73GB2A332J	CHIP R 3.3K J 1/10W		
R936		*	RK73GB2A472J	CHIP R 4.7K J 1/10W		
R937		*	RK73GB2A822J	CHIP R 8.2K J 1/10W		
R938		*	RK73GB2A153J	CHIP R 15K J 1/10W		
R939		*	RK73GB2A273J	CHIP R 27K J 1/10W		

E1 : KDV-3241Y (Europe) R1 : KDV-MP5032 (Latin America)
X1 : KDV-MP4439 (Australia) M1 : KDV-MP4339 (Other Areas)

△ Indicates safety critical components.

PARTS LIST

FRONT UNIT

Ref. No.	Add	New	Parts No.	Description	Destination
R941			RK73GB2A152J	CHIP R 1.5K J 1/10W	
R942			RK73GB2A122J	CHIP R 1.2K J 1/10W	
R943			RK73GB2A152J	CHIP R 1.5K J 1/10W	
R944			RK73GB2A222J	CHIP R 2.2K J 1/10W	
R945			RK73GB2A332J	CHIP R 3.3K J 1/10W	
R946			RK73GB2A472J	CHIP R 4.7K J 1/10W	
R947			RK73GB2A822J	CHIP R 8.2K J 1/10W	
R948			RK73GB2A153J	CHIP R 15K J 1/10W	
R949			RK73GB2A273J	CHIP R 27K J 1/10W	
R950			RK73GB2A151J	CHIP R 150 J 1/10W	
R952			RK73GB2A332J	CHIP R 3.3K J 1/10W	
R953			RK73GB2A392J	CHIP R 3.9K J 1/10W	
R954			RK73GB2A272J	CHIP R 2.7K J 1/10W	
R955			RK73GB2A122J	CHIP R 1.2K J 1/10W	
R956			RK73GB2A182J	CHIP R 1.8K J 1/10W	
R957			RK73GB2A561J	CHIP R 560 J 1/10W	
R958			RK73GB2A122J	CHIP R 1.2K J 1/10W	
R959			RK73GB2A821J	CHIP R 820 J 1/10W	
R960-962			RK73GB2A561J	CHIP R 560 J 1/10W	
R963,964			RK73GB2A471J	CHIP R 470 J 1/10W	
R965-969			RK73GB2A122J	CHIP R 1.2K J 1/10W	
R970			RK73GB2A103J	CHIP R 10K J 1/10W	
SW901-917	*		S70-0953-08	TACT SWITCH	
EV901	*		T99-0485-08	ROTARY ENCODER	
IC901	*		01LNRPY004B	MICROCONTROLLER IC	
RMC1	*		EAV41992401	ANALOGUE IC	
ZD901,902	*		0DZKE00188A	ZENER DIODE	
ZD903-909	*		0DZKE00318A	ZENER DIODE	
DVD UNIT					
C1101-1103	*		C93-1477-08	CHIP C 100PF J	
C1104,1105	*		C93-1495-08	CHIP C 0.1UF K	
C1106,1107			CK73GB1H103K	CHIP C 0.010UF K	
C1110,1111			CK73GB1A105K	CHIP C 1.0UF K	
C1114-1117	*		C93-1495-08	CHIP C 0.1UF K	
C1118,1119			CK73GB1C225K	CHIP C 2.2UF K	
C1120	*		C93-1495-08	CHIP C 0.1UF K	
C1121	*		C93-1499-08	CHIP C 10UF K	
C1122			CK73GB1C225K	CHIP C 2.2UF K	
C1207	*		C93-1495-08	CHIP C 0.1UF K	
C1208	*		C93-1499-08	CHIP C 10UF K	
C1209,1210	*		C93-1495-08	CHIP C 0.1UF K	
C1211-1214			CK73GB1H103K	CHIP C 0.010UF K	
C1215,1216	*		C93-1495-08	CHIP C 0.1UF K	
C1217,1218	*		C93-1499-08	CHIP C 10UF K	
C1219	*		C93-1495-08	CHIP C 0.1UF K	
C1220,1221	*		C93-1499-08	CHIP C 10UF K	
C1301-1312	*		C93-1495-08	CHIP C 0.1UF K	
C1313			CK73EB0J226K	CHIP C 22UF K	
C1314	*		C93-1495-08	CHIP C 0.1UF K	
C1315			CK73EB0J226K	CHIP C 22UF K	
C1316-1320	*		C93-1495-08	CHIP C 0.1UF K	
C1321			CK73GB1A105K	CHIP C 1.0UF K	
C1322	*		C93-1495-08	CHIP C 0.1UF K	

Ref. No.	Add	New	Parts No.	Description	Destination
C1323			CK73GB1A105K	CHIP C 1.0UF K	
C1324		*	C93-1495-08	CHIP C 0.1UF K	
C1325			CE32BF1C470M	CHIP EL 47UF 16WV	
C1326			CE32BJ1C101M	CHIP EL 100UF 16WV	
C1327			CE32BF1C470M	CHIP EL 47UF 16WV	
C1330-1333		*	C93-1490-08	CHIP C 470PF J	
C1341,1342		*	C93-1477-08	CHIP C 100PF J	
C1345,1346		*	C93-1480-08	CHIP C 150PF J	
C1347			CK73GB1H103K	CHIP C 0.010UF K	
C1348			CK73GB1C225K	CHIP C 2.2UF K	
C1349			CK73GB1H103K	CHIP C 0.010UF K	
C1350			CK73GB1C225K	CHIP C 2.2UF K	
C1351-1353		*	C93-1495-08	CHIP C 0.1UF K	
C1354		*	C93-1489-08	CHIP C 0.033UF K	
C1355		*	C93-1495-08	CHIP C 0.1UF K	
C1356		*	C93-1491-08	CHIP C 5600PF K	
C1357		*	C93-1488-08	CHIP C 0.018UF K	
C1358-1361		*	C93-1495-08	CHIP C 0.1UF K	
C1362			CK73EB0J226K	CHIP C 22UF K	
C1363,1364		*	C93-1495-08	CHIP C 0.1UF K	
C1367,1368		*	C93-1489-08	CHIP C 0.033UF K	
C1369		*	C93-1472-08	CHIP C 0.022UF K	
C1370,1371		*	C93-1493-08	CHIP C 30PF J	
C1379		*	C93-1495-08	CHIP C 0.1UF K	
C1380		*	C93-1499-08	CHIP C 10UF K	
C1381		*	C93-1495-08	CHIP C 0.1UF K	
C1382,1383		*	C93-1498-08	CHIP C 4.7UF K	
C1384-1386		*	C93-1483-08	CHIP C 47PF J	
C1387			CE32BJ1C101M	CHIP EL 100UF 16WV	
C1389-1391		*	C93-1495-08	CHIP C 0.1UF K	
C1401		*	C93-1499-08	CHIP C 10UF K	
C1402		*	C93-1495-08	CHIP C 0.1UF K	
C1403		*	C93-1499-08	CHIP C 10UF K	
C1404		*	C93-1495-08	CHIP C 0.1UF K	
C1405-1408		*	C93-1499-08	CHIP C 10UF K	
C1409,1410		*	C93-1487-08	CHIP C 1000PF K	
C1411,1412		*	C93-1496-08	CHIP C 22UF Z	
C1413,1414		*	C93-1477-08	CHIP C 100PF J	
C1415			CE32BM1E470M	CHIP EL 47UF 25WV	
C1416,1417		*	C93-1498-08	CHIP C 4.7UF K	
C1418		*	C93-1495-08	CHIP C 0.1UF K	
C1419,1420		*	C93-1494-08	CHIP C 330PF J	
C1421		*	C93-1478-08	CHIP C 12PF J	
C1434,1435		*	C93-1483-08	CHIP C 47PF J	
C1501		*	C93-1499-08	CHIP C 10UF K	
C1502-1506		*	C93-1495-08	CHIP C 0.1UF K	
C1508		*	C93-1495-08	CHIP C 0.1UF K	
C1509		*	C93-1499-08	CHIP C 10UF K	
C1510,1511		*	C93-1495-08	CHIP C 0.1UF K	
C1512			CK73GB1C225K	CHIP C 2.2UF K	
C1513		*	C93-1499-08	CHIP C 10UF K	
C1514			CK73GB1A105K	CHIP C 1.0UF K	
C1515			CE32BF1C220M	CHIP EL 22UF 16WV	
C1516		*	C90-6873-08	CHIP EL 220UF 6.3WV	
C1517		*	C93-1495-08	CHIP C 0.1UF K	

E1 : KDV-3241Y (Europe) R1 : KDV-MP5032 (Latin America)
X1 : KDV-MP4439 (Australia) M1 : KDV-MP4339 (Other Areas)

△ Indicates safety critical components.

PARTS LIST

DVD UNIT

Ref. No.	Add	New	Parts No.	Description	Destination
C1518			CE32BM1E470M	CHIP EL 47UF 25WV	
C1601		*	C93-1499-08	CHIP C 10UF K	
C1602,1603		*	C93-1495-08	CHIP C 0.1UF K	
C1604		*	C93-1499-08	CHIP C 10UF K	
C1610		*	C93-1495-08	CHIP C 0.1UF K	
C1611			CE32BJ1C101M	CHIP EL 100UF 16WV	
C1612		*	C93-1495-08	CHIP C 0.1UF K	
C1613			CE32BJ1C101M	CHIP EL 100UF 16WV	
C1614		*	C93-1495-08	CHIP C 0.1UF K	
C1615		*	C93-1499-08	CHIP C 10UF K	
C1617			CE32BJ1C101M	CHIP EL 100UF 16WV	
C1618		*	C93-1495-08	CHIP C 0.1UF K	
C1619			CE32BF1C470M	CHIP EL 47UF 16WV	
C1621		*	C93-1495-08	CHIP C 0.1UF K	
C1623		*	C93-1495-08	CHIP C 0.1UF K	
C1624		*	C93-1499-08	CHIP C 10UF K	
C1625		*	C93-1495-08	CHIP C 0.1UF K	
C1626		*	C93-1499-08	CHIP C 10UF K	
C1627		*	C93-1497-08	CHIP C 0.33UF K	
C1628		*	C93-1492-08	CHIP C 220PF J	
C1630-1638		*	C93-1495-08	CHIP C 0.1UF K	
C1639		*	C93-1483-08	CHIP C 47PF J	
C1640		*	C93-1495-08	CHIP C 0.1UF K	
CN1101		*	E41-3037-08	FLAT CABLE CONNECTOR	
CN1201		*	E41-3041-08	FLAT CABLE CONNECTOR	
CN1202		*	E41-3039-08	FLAT CABLE CONNECTOR	
CN1203		*	E41-3038-08	PIN ASSY	
CN1301		*	E41-3040-08	FLAT CABLE CONNECTOR	
CN1601		*	E41-3042-08	FLAT CABLE CONNECTOR	
L1101		*	L33-2485-08	SMALL FIXED INDUCTOR	
L1201,1202		*	L33-2485-08	SMALL FIXED INDUCTOR	
L1301,1302		*	L33-2485-08	SMALL FIXED INDUCTOR	
L1303-1306		*	L33-2488-08	SMALL FIXED INDUCTOR	
L1308,1309		*	L33-2488-08	SMALL FIXED INDUCTOR	
L1401		*	L33-2489-08	SMALL FIXED INDUCTOR	
L1402-1405		*	L33-2485-08	SMALL FIXED INDUCTOR	
L1501,1502		*	L33-2485-08	SMALL FIXED INDUCTOR	
L1503		*	L33-2488-08	SMALL FIXED INDUCTOR	
L1504		*	L33-2485-08	SMALL FIXED INDUCTOR	
L1505		*	L33-2488-08	SMALL FIXED INDUCTOR	
L1601-1605		*	L33-2485-08	SMALL FIXED INDUCTOR	
L1606		*	L33-2488-08	SMALL FIXED INDUCTOR	
X1301		*	L77-2995-08	CRYSTAL RESONATOR	
R1101			RK73GB2A104J	CHIP R 100K J 1/10W	
R1108			RK73GB2A2R2J	CHIP R 2.2 J 1/10W	
R1109			RK73GB2A4R7J	CHIP R 4.7 J 1/10W	
R1110,1111			RK73FB2B100J	CHIP R 10 J 1/8W	
R1112			RK73GB2A4R7J	CHIP R 4.7 J 1/10W	
R1113			RK73GB2A103J	CHIP R 10K J 1/10W	
R1201,1202			RK73GB2A101J	CHIP R 100 J 1/10W	
R1205			RK73GB2A471J	CHIP R 470 J 1/10W	
R1206			RK73GB2A153J	CHIP R 15K J 1/10W	
R1207			RK73GB2A471J	CHIP R 470 J 1/10W	

Ref. No.	Add	New	Parts No.	Description	Destination
R1208			RK73GB2A153J	CHIP R 15K J 1/10W	
R1209		*	R92-5233-08	CHIP R 0.22 J 1/4W	
R1211			RK73GB2A222J	CHIP R 2.2K J 1/10W	
R1212			RK73GB2A362J	CHIP R 3.6K J 1/10W	
R1215			RK73GB2A103J	CHIP R 10K J 1/10W	
R1301			RK74GB1J103J	CHIP-COM 10K J 1/16W	
R1308			RK73GB2A103J	CHIP R 10K J 1/10W	
R1311			RK73FB2B100J	CHIP R 10 J 1/8W	
R1312,313			RK73GB2A102J	CHIP R 1.0K J 1/10W	
R1314-1316			RK73GB2A101J	CHIP R 100 J 1/10W	
R1317			RK73GB2A471J	CHIP R 470 J 1/10W	
R1318			RK73GB2A105J	CHIP R 1.0M J 1/10W	
R1319			RK73GH2A222D	CHIP R 2.2K D 1/10W	
R1320			RK73GB2A103J	CHIP R 10K J 1/10W	
R1321			RK73GB2A151J	CHIP R 150 J 1/10W	
R1323		*	R92-5231-08	CHIP R 20K J 1/10W	
R1324			RK73GH2A222D	CHIP R 2.2K D 1/10W	
R1325		*	R92-5231-08	CHIP R 20K J 1/10W	
R1326		*	R92-5234-08	CHIP R 24K F 1/8W	
R1328			RK73GB2A000J	CHIP R 0.0 J 1/10W	
R1330			RK73GB2A000J	CHIP R 0.0 J 1/10W	
R1335		*	R92-5230-08	CHIP R 20K F 1/10W	
R1340			RK73GB2A103J	CHIP R 10K J 1/10W	
R1342			RK73GB2A102J	CHIP R 1.0K J 1/10W	
R1344			RK73GB2A102J	CHIP R 1.0K J 1/10W	
R1358			RK73GB2A103J	CHIP R 10K J 1/10W	
R1359		*	R92-5231-08	CHIP R 20K J 1/10W	
R1360			RK73GB2A470J	CHIP R 47 J 1/10W	
R1376			RK73GB2A681J	CHIP R 680 J 1/10W	
R1379-1382			RK73GB2A101J	CHIP R 100 J 1/10W	
R1385,1386			RK73GB2A471J	CHIP R 470 J 1/10W	
R1387			RK73GB2A103J	CHIP R 10K J 1/10W	
R1388			RK73GB2A681J	CHIP R 680 J 1/10W	
R1389-1391			RK73GB2A103J	CHIP R 10K J 1/10W	
R1396,1397			RK73GB2A103J	CHIP R 10K J 1/10W	
R1398			RK73GB2A8R2J	CHIP R 8.2 J 1/10W	
R1401		*	R92-5237-08	CHIP R 75 D 1/16W	
R1402,1403			RK73GB2A102J	CHIP R 1.0K J 1/10W	
R1404			RK73GB2A103J	CHIP R 10K J 1/10W	
R1405,1406			RK73GB2A392J	CHIP R 3.9K J 1/10W	
R1407			RK73GB2A103J	CHIP R 10K J 1/10W	
R1408			RK73GB2A223J	CHIP R 22K J 1/10W	
R1409,1410			RK73GB2A103J	CHIP R 10K J 1/10W	
R1411,1412			RK73GB2A752J	CHIP R 7.5K J 1/10W	
R1413,1414			RK73GB2A123J	CHIP R 12K J 1/10W	
R1415			RK73GB2A472J	CHIP R 4.7K J 1/10W	
R1416,1417			RK73GB2A102J	CHIP R 1.0K J 1/10W	
R1418,1419			RK73GB2A221J	CHIP R 220 J 1/10W	
R1422-1424			RK73GB2A471J	CHIP R 470 J 1/10W	
R1425			RK73GB2A822J	CHIP R 8.2K J 1/10W	
R1426			RK73GB2A103J	CHIP R 10K J 1/10W	
R1428			RK73GB2A820J	CHIP R 82 J 1/10W	
R1501		*	R92-5232-08	CHIP R 30K F 1/10W	
R1501-1503		*	R92-5235-08	CHIP R 0.0 J 1/16W	
R1504-1507			RK73GB2A362J	CHIP R 3.6K J 1/10W	

E1 : KDV-3241Y (Europe) R1 : KDV-MP5032 (Latin America)
X1 : KDV-MP4439 (Australia) M1 : KDV-MP4339 (Other Areas)

△Indicates safety critical components.

PARTS LIST

DVD UNIT

Ref. No.	Add	New	Parts No.	Description	Destination	Ref. No.	Add	New	Parts No.	Description	Destination
R1507			RK73GB2A472J	CHIP R 4.7K J 1/10W							
R1508,1509			RK73GB2A103J	CHIP R 10K J 1/10W							
R1510,1511			RK73GB2A272J	CHIP R 2.7K J 1/10W							
R1512			RK73GB2A000J	CHIP R 0.0 J 1/10W							
R1513,1514			RK73GB2A103J	CHIP R 10K J 1/10W							
R1515		*	R92-5237-08	CHIP R 75 D 1/16W							
R1601			RK73GB2A470J	CHIP R 47 J 1/10W							
R1603			RK73GB2A101J	CHIP R 100 J 1/10W							
R1605			RK73GB2A101J	CHIP R 100 J 1/10W							
R1606			RK73GB2A103J	CHIP R 10K J 1/10W							
R1629			RK73GB2A000J	CHIP R 0.0 J 1/10W							
R1651,1652			RK73GB2A103J	CHIP R 10K J 1/10W							
R1653,1654			RK73GB2A821J	CHIP R 820 J 1/10W							
R1655,1656			RK73GB2A472J	CHIP R 4.7K J 1/10W							
R1657			RK73FB2B000J	CHIP R 0.0 J 1/8W							
R1658,1659			RK73GB2A000J	CHIP R 0.0 J 1/10W							
R1660,1661			RK73GB2A6R8J	CHIP R 6.8 J 1/10W							
SW1301		*	S74-0824-08	MICRO SWITCH							
D1401,1402		*	0DD193009AB	DIODE							
D1403		*	0DSRM00118A	DIODE							
IC1201			AN41204A	ANALOGUE IC							
IC1202			BD7931F	ANALOGUE IC							
IC1301		*	EAN36448501	MOS-IC							
IC1401		*	0IPRPBB006A	MOS-IC							
IC1402		*	0ILNRAU017A	ANALOGUE IC							
IC1501		*	0IMMRHY015E	DRAM IC							
IC1502		*	EAN36433701	SRAM IC							
IC1503		*	EAN37730101	ROM IC							
IC1601		*	EAN36697601	ANALOGUE IC							
IC1602		*	0IKE780500S	ANALOGUE IC							
IC1603		*	0IPRPMT002A	MOS-IC							
IC1604		*	0ISTLPH028A	MOS-IC							
Q1101		*	0TRRH80008A	TRANSISTOR							
Q1102			UMC5N	TRANSISTOR							
Q1103		*	0TRRH80022A	FET							
Q1104		*	0TR114000AB	TRANSISTOR							
Q1303,1304		*	0TR387509AC	TRANSISTOR							
Q1401		*	0TRKE80037A	TRANSISTOR							
Q1402-1404		*	0TR201409BA	TRANSISTOR							
Q1405		*	0TRKE80037A	TRANSISTOR							
Q1406		*	0TR201409BA	TRANSISTOR							
Q1407-1409		*	0TRKE80037A	TRANSISTOR							

E1 : KDV-3241Y (Europe) **R1** : KDV-MP5032 (Latin America)
X1 : KDV-MP4439 (Australia) **M1** : KDV-MP4339 (Other Areas)

△ Indicates safety critical components.

SPECIFICATIONS

FM tuner section (KDV-MP4339/MP4439/3241Y)

Frequency range (50 kHz space)..... 87.5 MHz – 108.0 MHz
Signal to Noise ratio (MONO) 57 dB
Stereo separation (1 kHz) 25 dB

FM tuner section (KDV-MP5032)

Frequency range (100 kHz space)..... 87.5 MHz – 108.0 MHz
Signal to Noise ratio (MONO) 57 dB
Stereo separation (1 kHz) 25 dB

MW tuner section (KDV-MP4339/MP4439/3241Y)

Frequency range (9 kHz space).....522 kHz – 1620 kHz
Usable sensitivity (S/N = 20dB).....28 μ V

MW tuner section (KDV-MP5032)

Frequency range (10 kHz space).....520 kHz – 1720 kHz
Usable sensitivity (S/N = 20dB).....28 μ V

DVD player section

D/A Converter.....24 bit
Decoder..... Linear PCM/ Dolby Digital/ dts/ MP3/ WMA
Wow & Flutter Below Measurable Limit
Frequency Response
 Sampling frequency; 96 kHz.....20 – 44,000 Hz
 Sampling frequency; 48 kHz.....20 – 22,000 Hz
 Sampling frequency; 44.1 kHz.....20 – 20,000 Hz
Total Harmonic Distortion..... 0.05 % (1 kHz)
S/N Ratio (dB)..... 100 dB (1 kHz)
Dynamic Range 96 dB
Sampling frequency 32/ 44.1/ 48/ 96 kHz
Quantifying bit number 16/ 20/ 24 bit
MP3 Decode..... Compliant with MPEG-1/2 Audio Layer-3
WMA Decode Compliant with Windows Media Audio

Audio section (KDV-MP4339/MP4439/MP5032)

Maximum output power50 W x 4
Full Bandwidth Power (at less than 1% THD)25 W x 4
Speaker Impedance 4 – 8 Ω
Tone action
 Bass 100 Hz \pm 8 dB
 Middle 1 kHz \pm 8 dB
 Treble 10 kHz \pm 8 dB
Preout level / Load (CD)4000 mV/47 k Ω
Preout impedance \leq 600 Ω

Audio section (KDV-3241Y)

Maximum output power50 W x 4
Output power (DIN 45324, +B=14.4V)30 W x 4
Speaker Impedance 4 – 8 Ω
Tone action
 Bass 100 Hz \pm 8 dB
 Middle 1 kHz \pm 8 dB
 Treble 10 kHz \pm 8 dB
Preout level / Load (CD)4000 mV/47 k Ω
Preout impedance \leq 600 Ω

Auxiliary input

Frequency response (\pm 3 dB)20 Hz – 20 kHz
Input Maximum Voltage.....1200 mV
Input Impedance 100 k Ω

General

Operating voltage (11 – 16V allowable).....14.4 V
Current consumption.....10 A
Installation Size (W x H x D) 182 x 53 x 165 mm
Weight 1.70 kg

KENWOOD follows a policy of continuous advancements in development. For this reason specifications may be changed without notice.

US and foreign patents licensed from Dolby Laboratories.

DANGER:

Please do not look at the laser beam directly during repair or operation check.

